

**Kitchen  
Cabinet  
Distributors**

# VANITY OFFERING

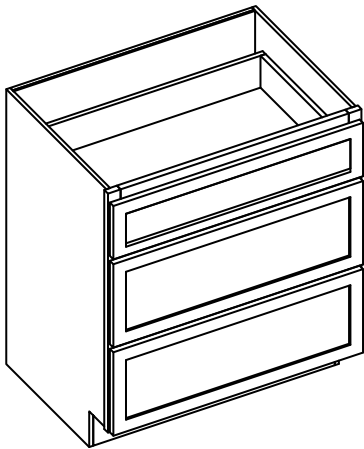
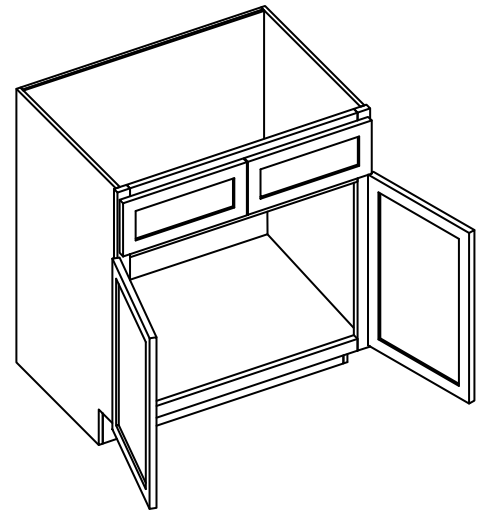
- Single & Double sink vanities: 12" - 96"
- 10 unique styles
- Hundreds of sizes & accessories
- Thousands of combinations
- Solid wood construction
- Premium finishes
- Short & dependable lead time
- Open Shelf Vanity available



# VANITIES

Available in single or double doors, our vanities can be used on their own for smaller spaces or combined for larger spaces.

- VB12
- VB15
- VB18
- V24
- V27
- V30
- V33
- V36



## VANITY DRAWER BASES

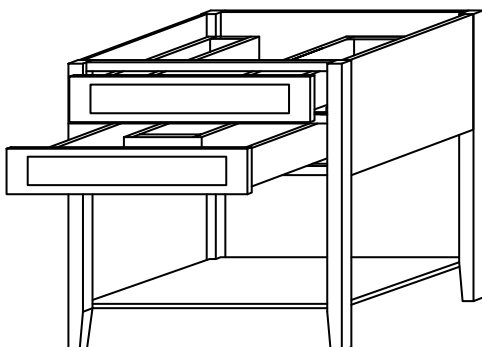
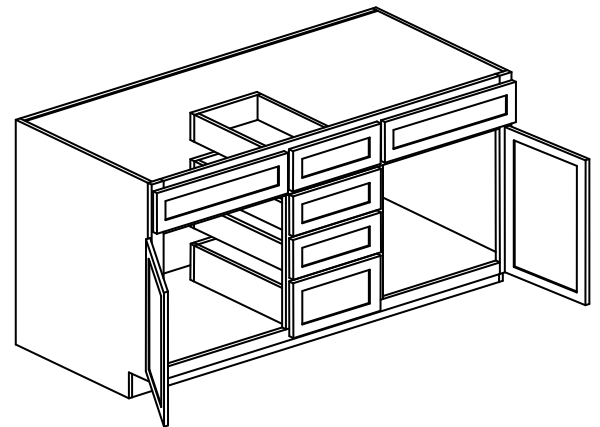
This three drawer stack cabinet is ideal for maximum storage space. Available in 12" - 24" widths, it can be used alone or in a combo design.

- VDB12
- VDB15
- VDB18
- VDB21^
- VDB24

## VANITY SINK BASES

This style provides cabinet & drawer storage. Available in 30"-96" our vanity sink bases are available in standard & extended widths.

- DVSB54 (Double sink)
- DVSB60 (Double sink)
- VSB36 (Single sink)
- VSB42 (Single sink)
- VSB48 (Single sink)
- EVSB54 (Single sink)
- EVSB60 (Single sink)
- VSB48 (Single sink)
- VSBDL30 (Single sink)
- VSBDR36 (Single sink)
- VSBDR30 (Single sink)
- VSBDL36 (Single sink)



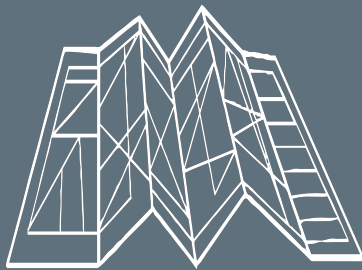
### **\*NEW\*** OPEN SHELF VANITY SINK BASE

Our new open shelf vanity is available in a 36" width & includes adjustable metal feet. Both drawers feature a U-shape to accommodate plumbing.



## STEP 1 MEASURE

First, you will want to make sure you know the size of the space in which you are designing. Measure the opening where your vanity will go.



## STEP 2 STYLE & DESIGNS

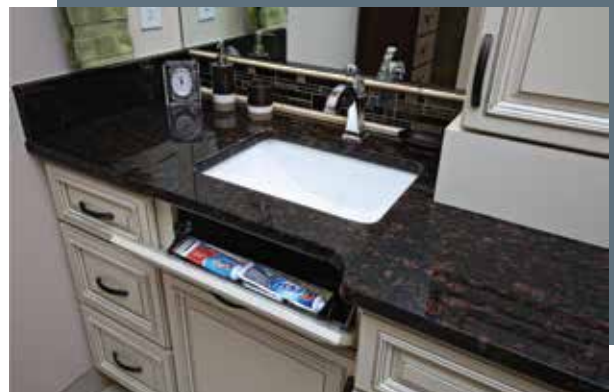
Next, determine how you are going to lay out your space & determine the style of your vanity. Be sure to consider the number of sinks you will have and how much storage space you will need. For more storage, consider using drawers in your design.



## STEP 3 SELECT PRODUCTS

Last, select your cabinets. For large spaces, start in the middle and work your way to the ends. Don't worry if the cabinets you select don't match your dimensions perfectly. You can order fillers to help close the gap.

*Remember to add the finishing touches with accessories and storage solutions!*



# COMMON LAYOUTS

*Here are the most common vanity sizes.  
Use this guide to help select and build the perfect configuration.*

30" or Less	36"	42"	48"	54"	60"	72"	96"
V30	V36 VSB36	VSB42	(2)V24-2 VSB48	(2)V27	(2) V30	(2) V36	(2) VSB48
V27	V24 + VDB12 VSBDL36*	V24 + VDB18 V27 + VDB15	V24 + VDB24	(2)VB12+V30	(2)V24+(1)VDB12	(2) VSB36	(2)V36+(1)VDB24
V24-2	VSBDR36*	V30 + VDB12	V27 + VDB21^	(2)VB21^+(1)VDB12	(1)V36+(1)VDB24	(2)V24+(1)VDB24	(2)VSB36+(1)VDB24
VSBDL30*	VSBOS36*		V30 + VDB18	VSB42+VDB12	(1)V42+(1)VDB18	(2)V30+(1)VDB18	(2)VSBDL36+(1)VDB24*
VSBDR30*			V33 + VDB15	VSBDR36+VDB18	DVSB60^	(2)V27+(1)VDB18	(2)VSBDR36+(1)VDB24*
			V36 + VDB12	VSBRL36+VDB18	EVS60^	(1)V36+(2)VDB18	(2)V30+(2)VDB18 (2)V27 +(2)VDB24 (2)V33 +(2)VDB15
						(2)VSBDL36*	
						(2)VSBDR36*	
						(1)VSBDR36 + (1)VSBDL36*	
							(2)VSB42+(1)VDB12

\*Premier Series Only

^Value Series Only

Note: VB12, VB15 or VB18 can be substituted in place of same size VDB



*Finishing touches such as knee drawers, bunfeet, and turned posts enhance the design and add value!*