



**Kitchen
Cabinet
Distributors™**



2024

**PRODUCT
SPECIFICATION GUIDE**

PREMIER PRODUCT

With the highest quality materials and finest attention to detail, our Premier Series offers distinctive touches and superb craftsmanship. Features include full overlay doors, plywood boxes, a solid wood dovetail drawer box, as well as a 5 piece drawer head and soft close doors and drawers.

Modern and versatile, the design of these cabinets will add polish and sophistication to any space.



Designed with industrial and vintage charm, these cabinets will complement your home for years.

An adaptable option that adds dimension and softness to any style.

NAPA



**BUILDER
PRODUCT**

The Essential line is offered in gray and white and creates solutions for many design needs. Our broad selection of SKU's, moldings and modifications will bring your vision together, affordably. Add your own personal touch with our Perfect Pairings Decorative Hardware to make your spaces, uniquely you.



ESSENTIAL

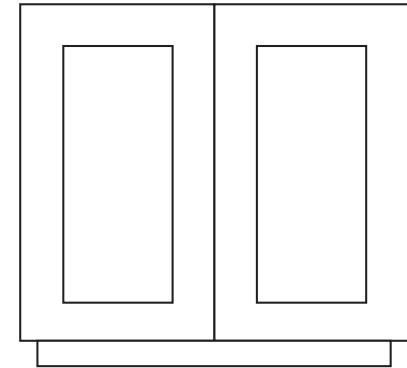
Our **Builder Series** satisfies either the traditional or modern design palette with a look to fit any lifestyle, all at an attractive price point.

PRODUCT COMPARISON

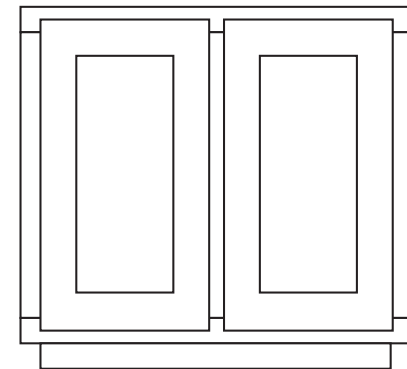
	Premier Series
Cabinet Box	1/2", 7 Ply, Plywood
Drawer Box	5/8" Solid Wood, Dovetailed
Drawer Slides	Undermount, Full Extension, Metal Soft-Close w/ Ball Bearings
Drawer & Door Front	Partial Overlay; 5-Piece Doors & Drawers; Solid Birch Stiles & Rails; MDF Center Panel
Hinge	6 Way Adjustable, Soft-Close
Shelves	Adjustable, 3/4" Plywood
Exterior Finish	Birch Veneer Finished to Match Doors
Interior Finish	Natural Birch Veneer
Face Frame	Solid Wood
Certifications	TSCA VI, CARB 2, KCMA

	Builder Series
Cabinet Box	1/2", 7 Ply Engineered Wood, Plywood Back
Drawer Box	5/8" Solid Wood, Dovetailed
Drawer Slides	Undermount, 3/4" Extension, Non-Soft Close
Drawer & Door Front	Standard Overlay; 5-Piece Doors & Drawers; HDF Stiles & Rails; MDF Center Panel
Hinge	6 Way Adjustable, Soft-Close
Shelves	Adjustable, 3/4" Engineered Wood
Exterior Finish	Melamine to Match Doors
Interior Finish	Natural Melamine
Face Frame	Solid Wood
Certifications	TSCA VI, CARB 2, KCMA

Full Overlay (Premier Series)



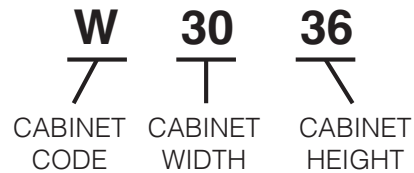
Partial Overlay (Builder Series)



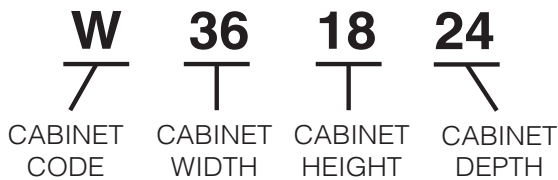
PRODUCT SPECS WALL CABINETS

Wall Cabinet Coding

Standard (12" Deep)



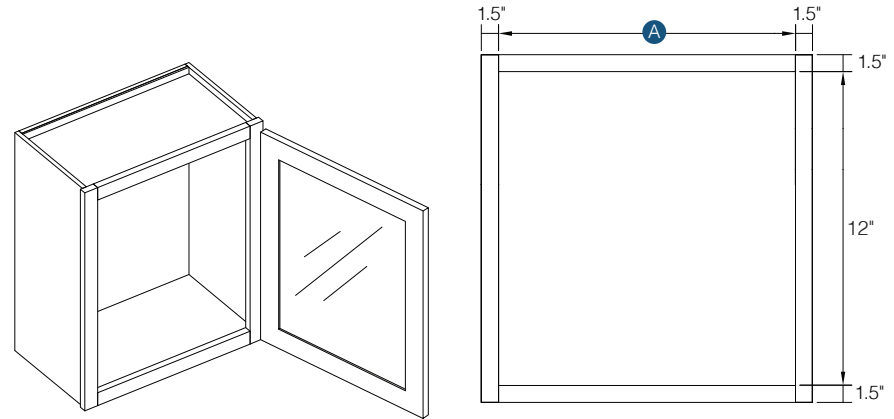
Refrigerator



Notes:

- Standard wall cabinets are 12" deep. Refrigerator cabinets are 24" deep.
- Add door thickness for total cabinet depth.
- Please refer to the Products by Cabinet Line chart to determine which products are carried for each cabinet line.

15" Wall Stacking Cabinets with Glass

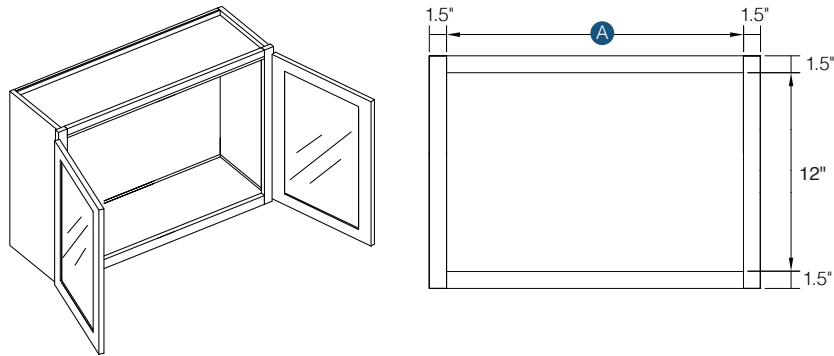


Item Code	Outer Dimensions			Premier			
	W	H	D	Opening Size		Door Size	
				A	H	W	H
WS1215	12"	15"	12"	9"	12"	11.5"	13.75"
WS1515	15"	15"	12"	12"	12"	14.5"	13.75"
WS1815	18"	15"	12"	15"	12"	17.5"	13.75"
WS2115	21"	15"	12"	18"	12"	20.5"	13.75"

*Door comes pre-routed with glass insert and finished interior

PRODUCT SPECS WALL CABINETS

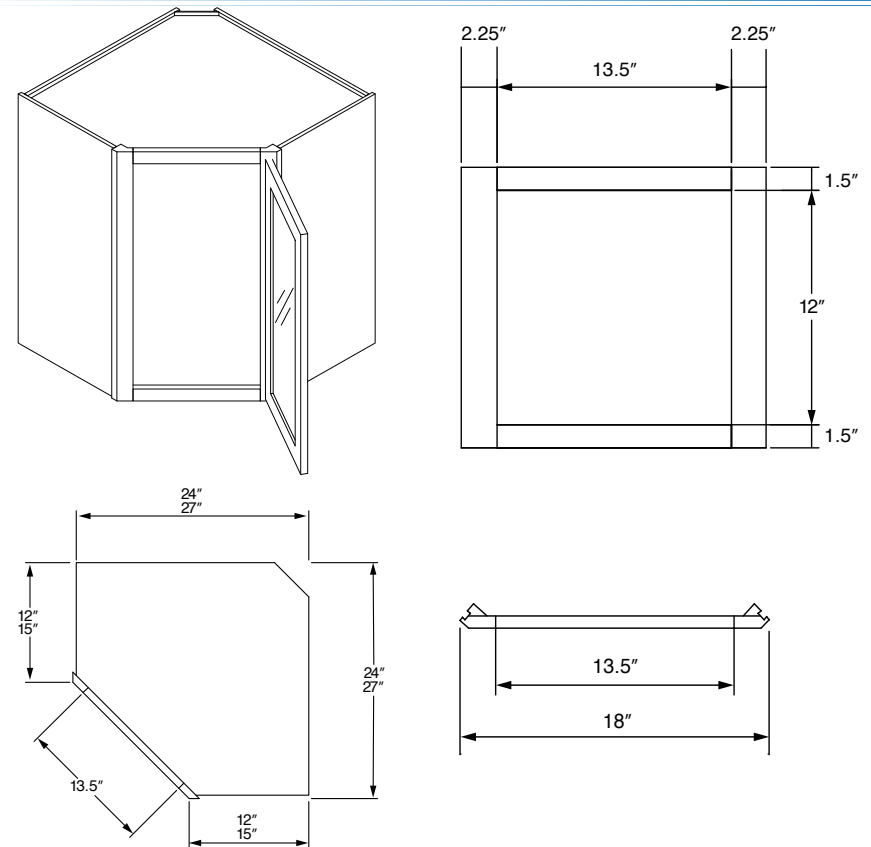
15" Wall Stacking Cabinets with Glass



Item Code	Outer Dimensions			Premier			
	W	H	D	Opening Size		Door Size (x2)	
				A	H	W	H
WS2415-2	24"	15"	12"	21"	12"	11.6875"	13.75"
WS2715-2	27"	15"	12"	24"	12"	13.1875"	13.75"
WS3015-2	30"	15"	12"	27"	12"	14.6875"	13.75"
WS3315-2	33"	15"	12"	30"	12"	16.1875"	13.75"
WS3615-2	36"	15"	12"	33"	12"	17.6875"	13.75"

*Door comes pre-routed with glass insert and finished interior

15" Corner Wall Stacking Cabinet with Glass

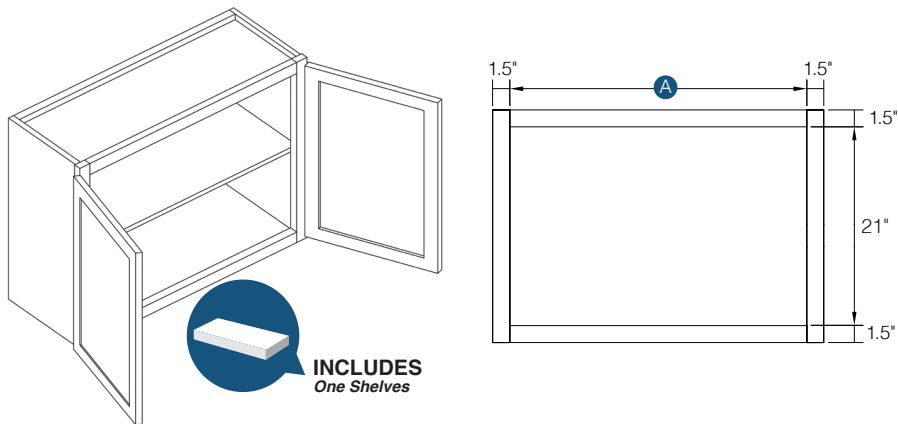


Item Code	Outer Dimensions			Premier			
	W	H	D	Opening Size		Door Size (x2)	
				W	H	W	H
CWS2415	24"	15"	12"	13.5"	12"	14.5"	13.75"
CWS2715	27"	15"	12"	13.5"	12"	14.5"	13.75"

*Door comes pre-routed with glass insert and finished interior

PRODUCT SPECS WALL CABINETS

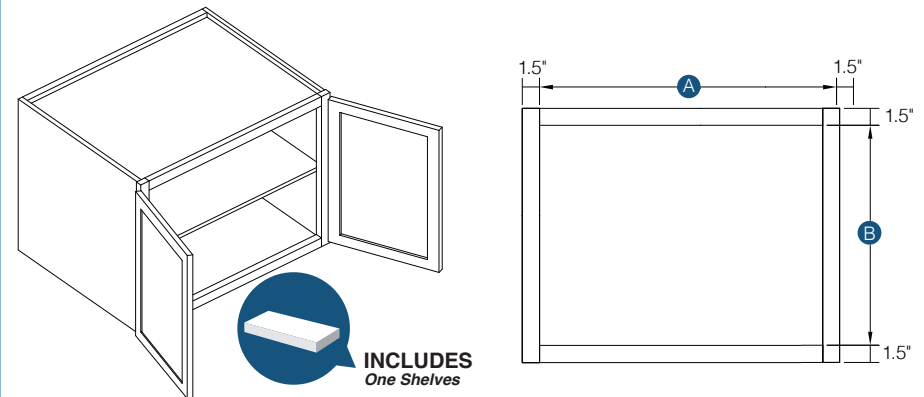
24" High Double Door Wall Cabinet



Item Code	Outer Dimensions			Opening Size	
	W	H	D	A	H
W3024	30"	24"	12"	27"	21"
W3324	33"	24"	12"	30"	21"
W3624	36"	24"	12"	33"	21"

Item Code	Premier		Builder	
	Door Size (x2)		Door Size (x2)	
	W	H	W	H
W3024	14.6875"	22.75"	22"	14"
W3324	16.1875"	22.75"	-	-
W3624	17.6875"	22.75"	22"	16.9"

24" Deep Wall (Refrigerator Cabinet)



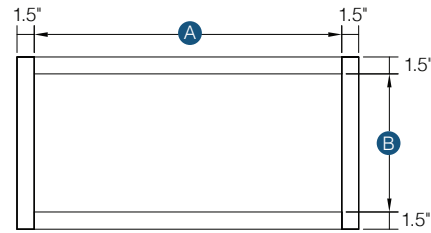
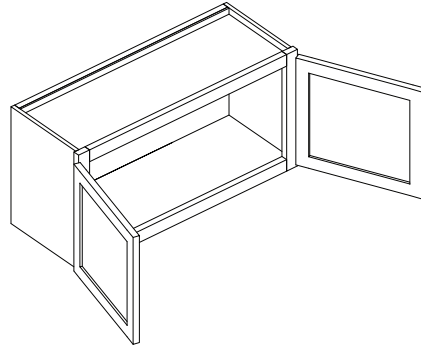
Item Code	Outer Dimensions			Opening Size	
	W	H	D	A	B
W331824*	33"	18"	24"	30"	15"
W332424	33"	24"	24"	30"	21"
W361824*	36"	18"	24"	33"	15"
W362424	36"	24"	24"	33"	21"

*Does not have a shelf

Item Code	Premier		Builder	
	Door Size (x2)		Door Size (x2)	
	W	H	W	H
W331824*	16.1875"	16.75"	-	-
W332424	16.1875"	22.75"	-	-
W361824*	17.6875"	16.75"	16.95"	16"
W362424	17.6875"	22.75"	16.95"	22"

PRODUCT SPECS WALL CABINETS

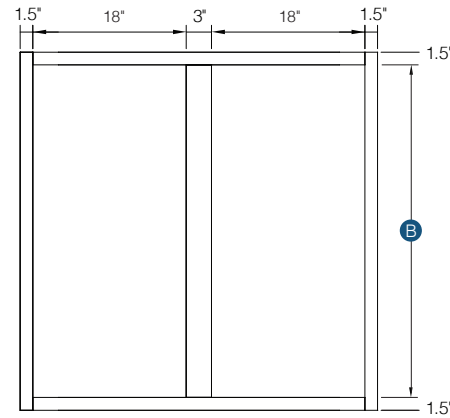
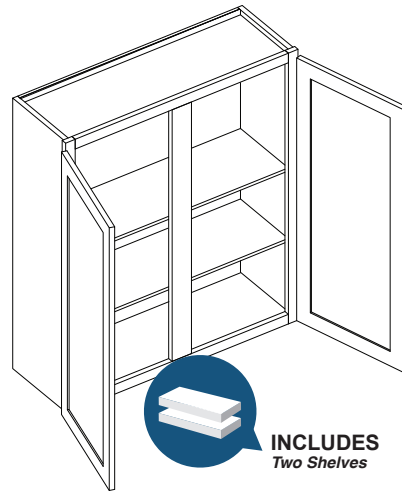
12" - 21" High Double Door Wall Cabinet



Item Code	Outer Dimensions			Opening Size		Premier		Builder	
						Door Size (x2)		Door Size (x2)	
	W	H	D	A	B	W	H	W	H
W3012	30"	12"	12"	27"	9"	14.6875"	10.75"	14"	10"
W3312	33"	12"	12"	30"	9"	16.1875"	10.75"	-	-
W3612	36"	12"	12"	33"	9"	17.6875"	10.75"	16.9"	10"
W3015	30"	15"	12"	27"	12"	14.6875"	13.75"	14"	13"
W3315	33"	15"	12"	30"	12"	16.1875"	13.75"	15.5"	13"
W3615	36"	15"	12"	33"	12"	17.6875"	13.75"	16.9"	13"
W3018	30"	18"	12"	27"	15"	14.6875"	16.75"	14"	16"
W3318	33"	18"	12"	30"	15"	16.1875"	16.75"	-	-
W3618	36"	18"	12"	33"	15"	17.6875"	16.75"	16.9"	16"
W3021	30"	21"	12"	27"	18"	14.6875"	19.75"	-	-

PRODUCT SPECS WALL CABINETS

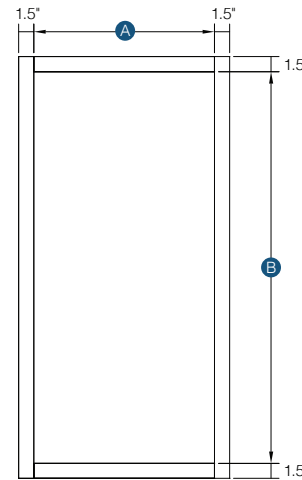
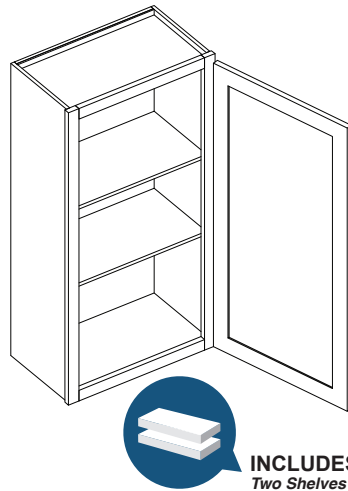
30" - 36" High Double Door Wall Cabinet with Center Stile



Item Code	Outer Dimensions			Opening Size		Premier		Builder	
						Door Size (x2)		Door Size (x2)	
	W	H	D	A	B	W	H	W	H
W4230	42"	30"	12"	18"	27"	20.5"	28.75"	20"	28"
W4236	42"	36"	12"	18"	33"	20.5"	34.75"	20"	34"

PRODUCT SPECS WALL CABINETS

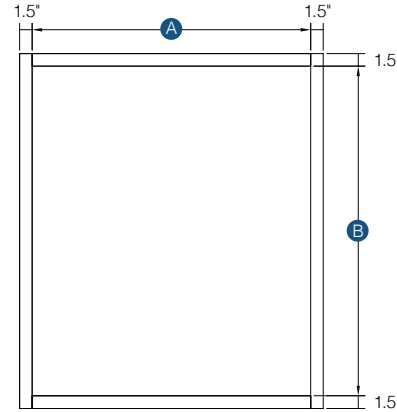
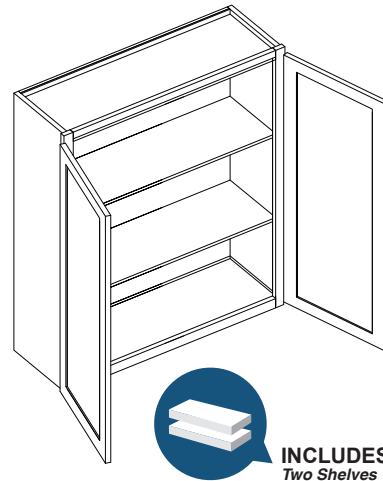
30" - 36" High Single Door Wall Cabinet Cabinet



Item Code	Outer Dimensions			Opening Size		Premier		Builder	
						Door Size		Door Size	
	W	H	D	A	B	W	H	W	H
W930	9"	30"	12"	6"	27"	8.5"	28.75"	7"	28"
W1230	12"	30"	12"	9"	27"	11.5"	28.75"	10"	28"
W1530	15"	30"	12"	12"	27"	14.5"	28.75"	13"	28"
W1830	18"	30"	12"	15"	27"	17.5"	28.75"	16"	28"
W2130	21"	30"	12"	18"	27"	20.5"	28.75"	19"	28"
W936	9"	36"	12"	6"	33"	8.5"	34.75"	7"	34"
W1236	12"	36"	12"	9"	33"	11.5"	34.75"	10"	34"
W1536	15"	36"	12"	12"	33"	14.5"	34.75"	13"	34"
W1836	18"	36"	12"	15"	33"	17.5"	34.75"	16"	34"
W2136	21"	36"	12"	18"	33"	20.5"	34.75"	19"	34"

PRODUCT SPECS WALL CABINETS

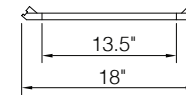
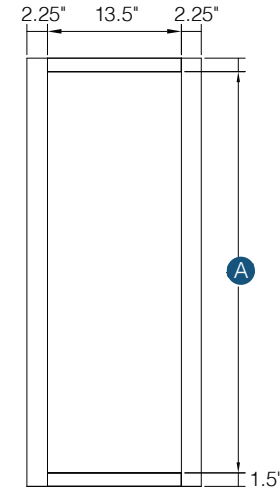
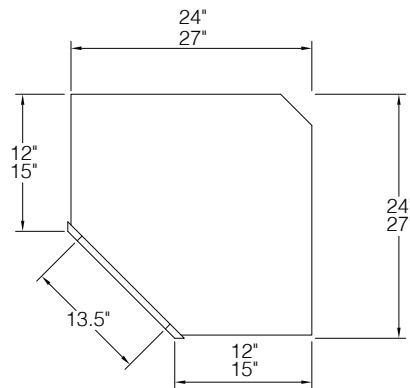
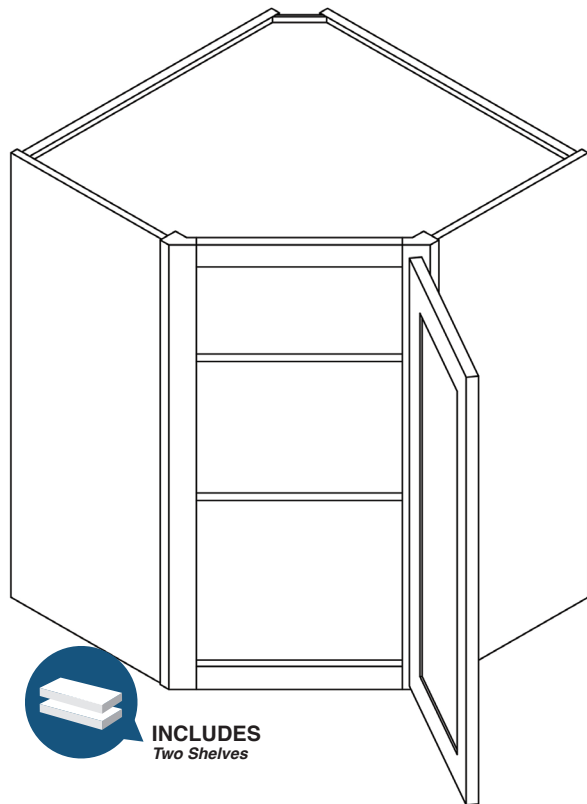
30" - 36" High Double Door Wall Cabinet



Item Code	Outer Dimensions			Opening Size		Premier		Builder	
						Door Size (x2)		Door Size (x2)	
	W	H	D	A	B	W	H	W	H
W2430-2	24"	30"	12"	21"	27"	11.68"	28.75"	11"	28"
W2730	27"	30"	12"	24"	27"	13.1875"	28.75"	12.5"	28"
W3030	30"	30"	12"	27"	27"	14.6875"	28.75"	14"	28"
W3330	33"	30"	12"	30"	27"	16.1875"	28.75"	15.5"	28"
W3630	36"	30"	12"	33"	27"	17.6875"	28.75"	16.9"	28"
W3930	39"	30"	12"	36"	27"	19.1875"	28.75"	18.45"	28"
W2436-2	24"	36"	12"	21"	33"	11.6875"	34.75"	11"	34"
W2736	27"	36"	12"	24"	33"	13.1875"	34.75"	12.5"	34"
W3036	30"	36"	12"	27"	33"	14.6875"	34.75"	14"	34"
W3336	33"	36"	12"	30"	33"	16.1875"	34.75"	15.5"	19"
W3636	36"	36"	12"	33"	33"	17.6875"	34.75"	16.9"	34"
W3936	39"	36"	12"	36"	33"	19.1875"	34.75"	18.45"	34"

PRODUCT SPECS WALL CABINETS

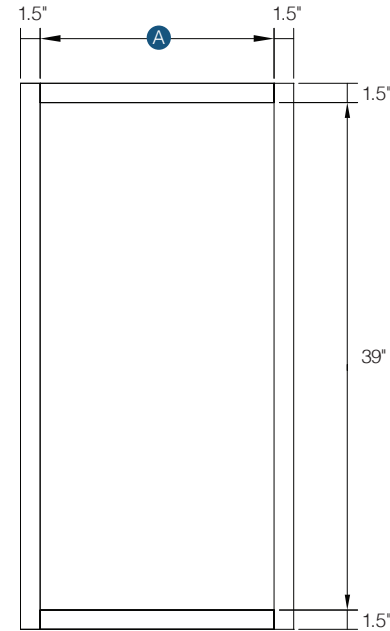
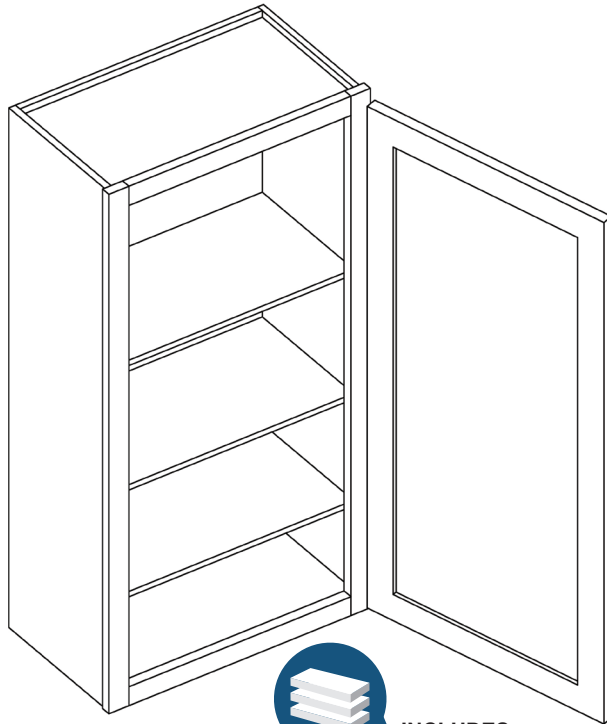
30" - 36" High Corner Wall Cabinet



Item Code	Outer Dimensions			Opening Size		Premier		Builder	
						Door Size		Door Size	
	W	H	D	W	A	W	H	W	H
CW2430	24"	30"	12"	13.5"	27"	14.5"	28.75"	14.5"	28"
CW2436	24"	36"	12"	13.5"	33"	14.5"	34.75"	14.5"	34"
CW2736	27"	36"	12"	13.5"	33"	14.5"	34.75"	14.5"	34"
CW2742	27"	42"	12"	13.5"	39"	14.5"	40.75"	14.5"	40"

PRODUCT SPECS WALL CABINETS

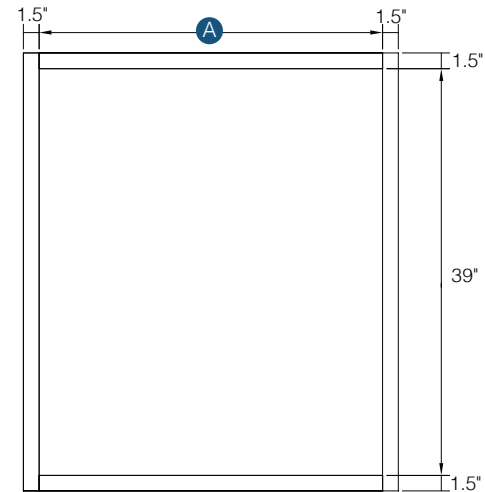
42" High Single Door Wall Cabinet



Item Code	Outer Dimensions		Opening Size		Premier		Builder		
					Door Size		Door Size		
	W	H	D	A	H	W	H	W	H
W942	9"	42"	12"	6"	39"	8.5"	40.75"	7"	40"
W1242	12"	42"	12"	9"	39"	11.5"	40.75"	10"	40"
W1542	15"	42"	12"	12"	39"	14.5"	40.75"	13"	40"
W1842	18"	42"	12"	15"	39"	17.5"	40.75"	16"	40"
W2142	21"	42"	12"	18"	39"	20.5"	40.75"	19"	40"

PRODUCT SPECS WALL CABINETS

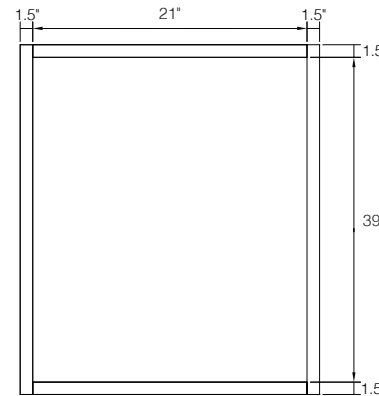
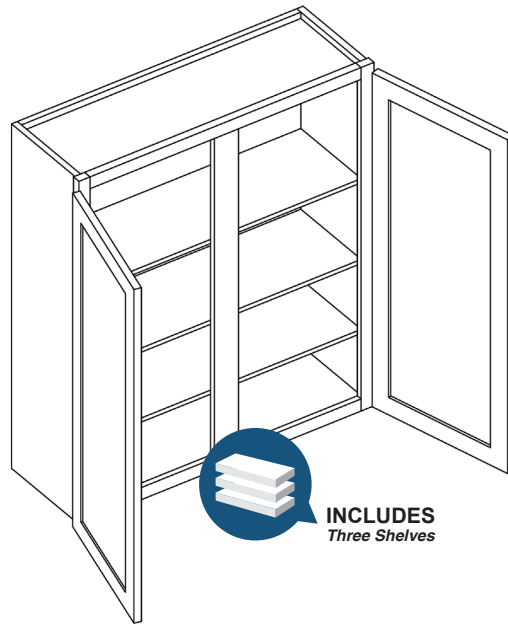
42" High Double Door Wall Cabinet



Item Code	Outer Dimensions			Opening Size		Premier		Builder	
						Door Size (x2)		Door Size (x2)	
	W	H	D	A	H	W	H	W	H
W2442-2	24"	42"	12"	21"	39"	11.6875"	40.75"	11"	40"
W2742	27"	42"	12"	24"	39"	13.1875"	40.75"	12.5"	40"
W3042	30"	42"	12"	27"	39"	14.6875"	40.75"	14"	40"
W3342	33"	42"	12"	30"	39"	16.1875"	40.75"	15.5"	40"
W3642	36"	42"	12"	33"	39"	17.6875"	40.75"	16.9"	40"
W3942	39"	42"	12"	36"	39"	19.1875"	40.75"	18.45"	40"

PRODUCT SPECS WALL CABINETS

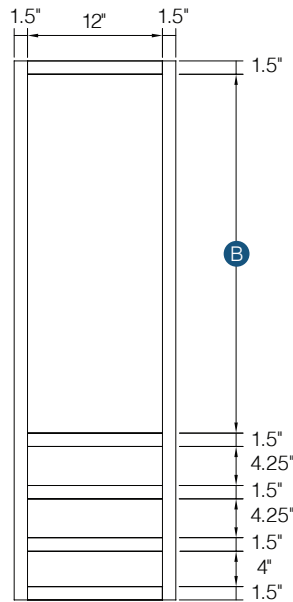
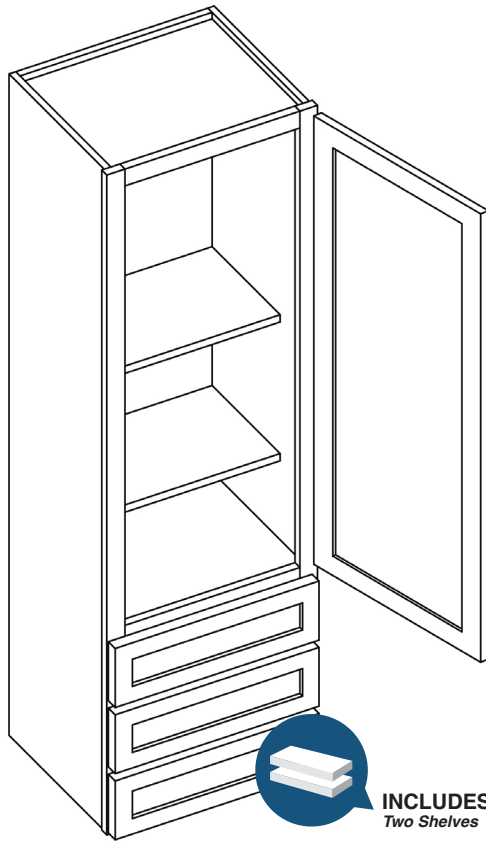
42" High Double Door Wall with Center Stile



Item Code	Outer Dimensions			Opening Size		Premier		Builder	
						Door Size (x2)		Door Size (x2)	
	W	H	D	W	H	W	H	W	H
W4242	42"	42"	12"	21"	39"	20.5"	40.75"	19"	40"

PRODUCT SPECS WALL CABINETS

Wall Tower with 3 Drawers



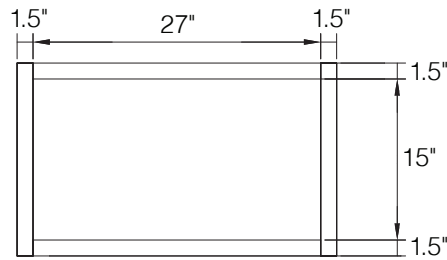
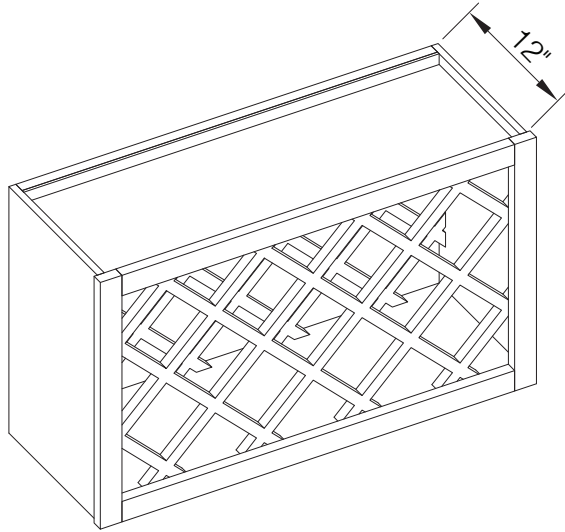
Item Code	Outer Dimensions			Door Opening		Premier		Builder	
						Door Size		Door Size	
						W	H	W	H
DWR1548	15"	48"	15"	12"	28"	14.5"	28.75"	-	-
DWR1554	15"	54"	15"	12"	34"	14.5"	34.75"	-	-
DWR1560*	15"	60"	15"	12"	40"	14.5"	40.75"	-	-

Item Code	Top/Middle Opening		Top/Middle Drawer Front Size		Bottom Opening		Bottom Drawer Front Size	
	W	H	W	H	W	H	W	H
DWR1548	12"	4.25"	14.5"	5.5"	12"	4"	14.5"	5.5"
DWR1554	12"	4.25"	14.5"	5.5"	12"	4"	14.5"	5.5"
DWR1560*	12"	4.25"	14.5"	5.5"	12"	4"	14.5"	5.5"

*Includes 3 shelves

PRODUCT SPECS WALL CABINETS

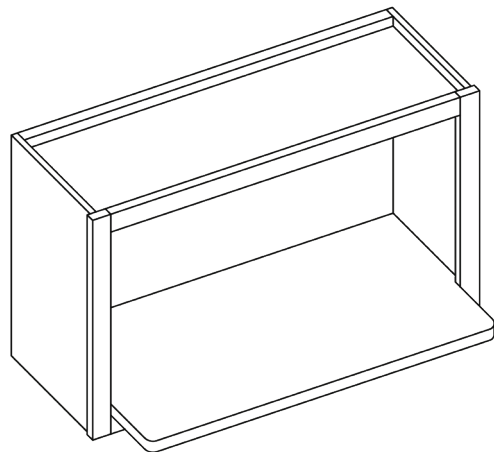
Wine Rack



Item Code	Outer Dimensions			Opening Size		P	B
	W	H	D	W	H		
WR3018	30"	18"	12"	27"	15"	●	●

Can be installed vertically or horizontally
Wine Rack holds 11 standard wine bottles

Microwave Wall Cabinet

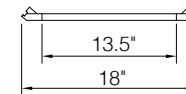
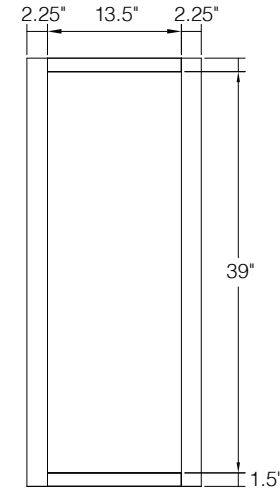
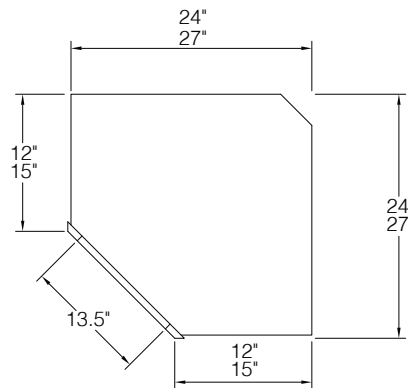
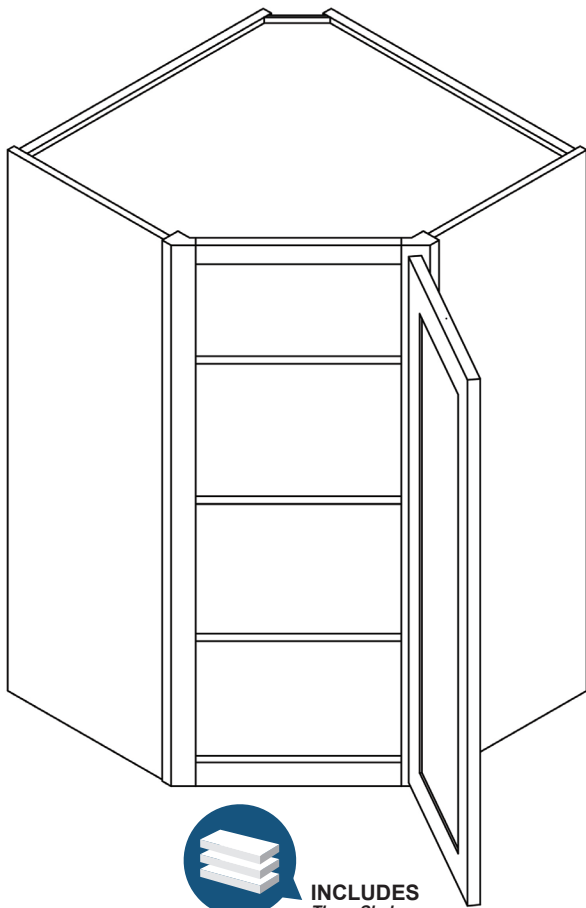


Shelf depth 15.5"

Item Code	Outer Dimensions			Opening Size		P	B
	W	H	D	W	H		
MWC3018	30"	18"	12"	27"	14.25"	●	●

PRODUCT SPECS WALL CABINETS

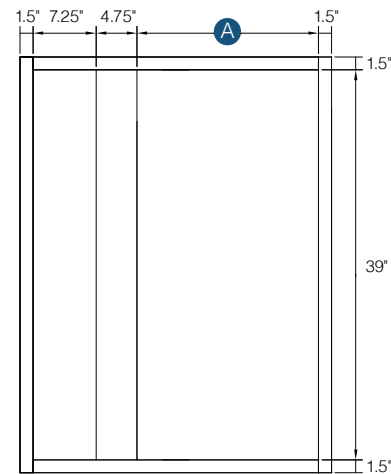
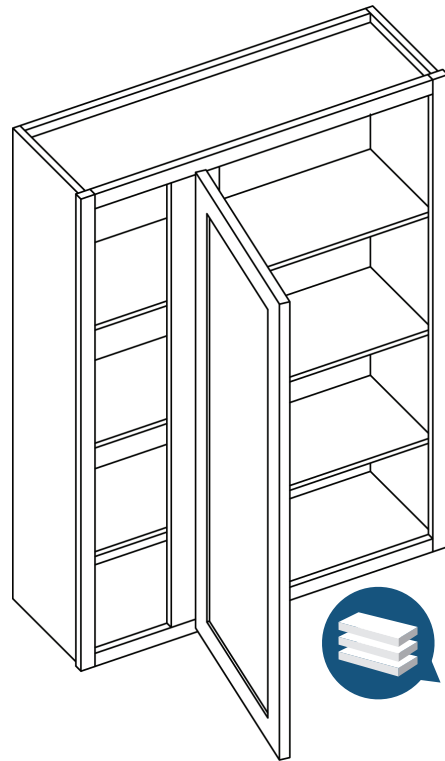
42" High Corner Wall Cabinet



Item Code	Outer Dimensions			Opening Size		Premier		Builder	
	Door Size		Door Size		Door Size		Door Size		
	W	H	D	W	H	W	H	W	H
CW2442	24"	42"	12"	13.5"	39"	14.5"	40.75"	14.5"	40"
CW2742	27"	42"	15"	13.5"	39"	14.5"	40.75"	14.5"	40"

PRODUCT SPECS WALL CABINETS

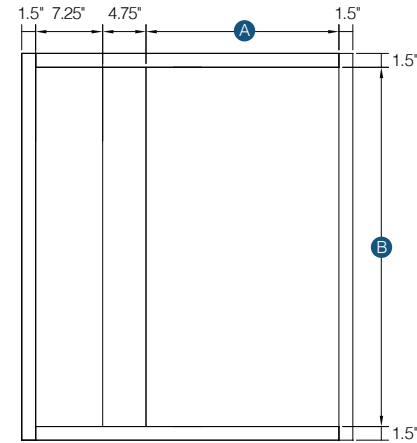
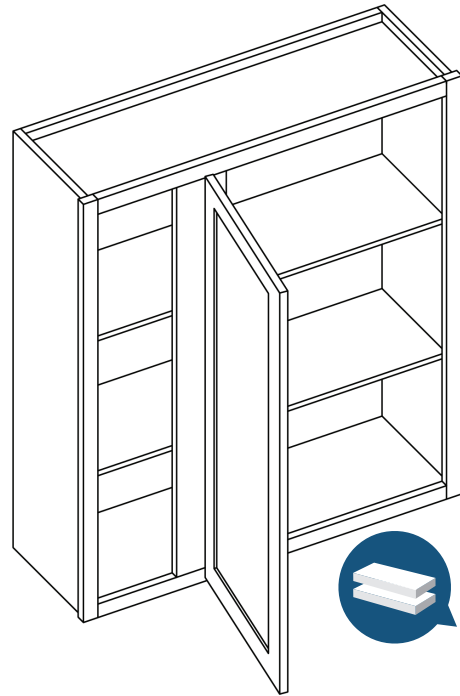
42" High Blind Wall Cabinet



Item Code	Outer Dimensions			Opening Size		Premier	Builder		
						Door Size		Door Size	
	W	H	D	A	H	W	H	W	H
BW3042	30"	42"	12"	15"	39"	17.5"	40.75"	-	-
BW3642	36"	42"	12"	21"	39"	23.5"	40.75"	22"	40"

PRODUCT SPECS WALL CABINETS

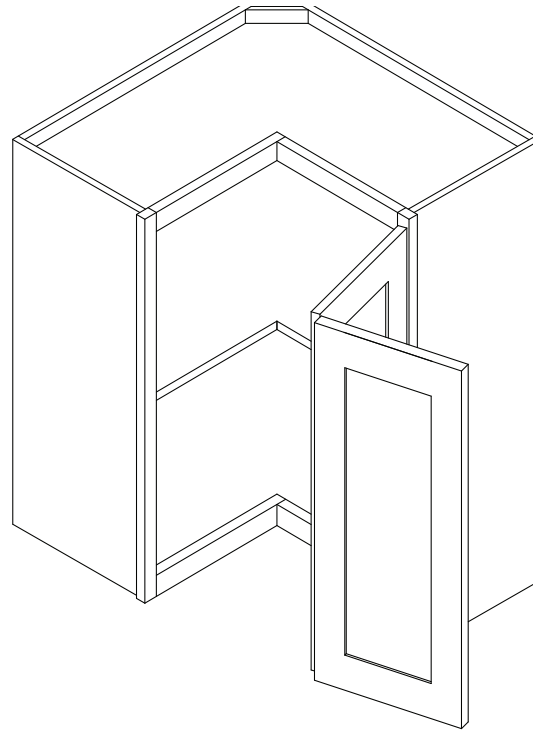
30" - 36" High Blind Wall Cabinet



Item Code	Outer Dimensions			Opening Size		Premier		Builder	
						Door Size		Door Size	
	W	H	D	A	B	W	H	W	H
BW2430	24"	30"	12"	9"	27"	11.5"	28.75"	-	-
BW3030	30"	30"	12"	15"	27"	17.5"	28.75"	16"	28"
BW3630	36"	30"	12"	21"	27"	23.5"	28.75"	22"	28"
BW2436	24"	36"	12"	9"	33"	11.5"	34.75"	-	-
BW3036	30"	36"	12"	15"	33"	17.5"	34.75"	-	-
BW3636	36"	36"	12"	21"	33"	23.5"	34.75"	22"	34"

PRODUCT SPECS WALL CABINETS

30" - 42" Easy Reach Cabinet



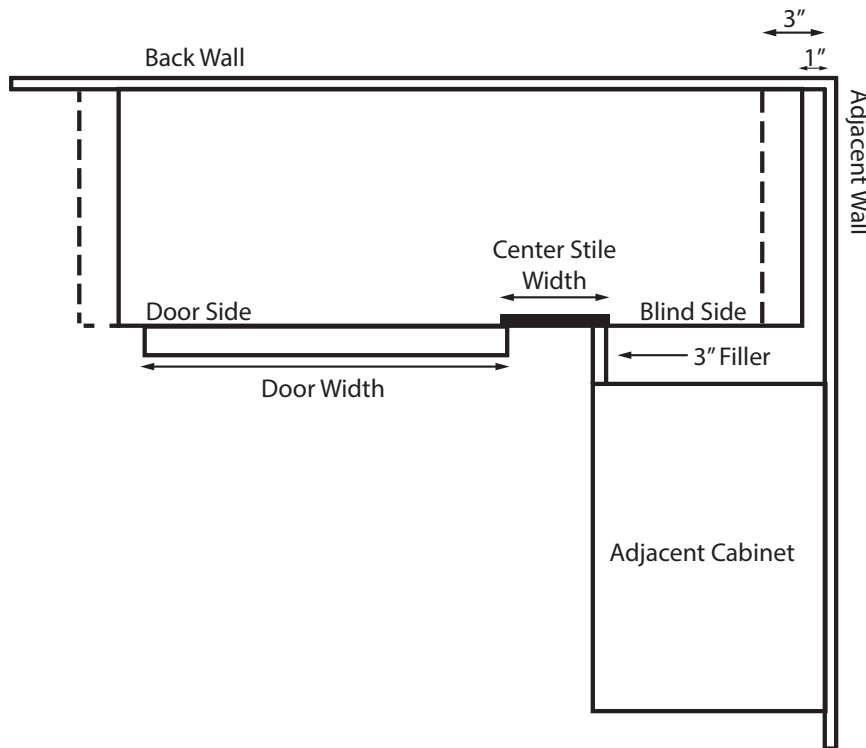
Item Code	Outer Dimensions			Premier		Builder	
				Door Size		Door Size	
	W	H	D	W	H	W	H
WER2430	24"	30"	12"	28.8"	10.7"	28"	10"
WER2436	24"	36"	12"	34.8"	10.7"	34"	10"
WER2442	24"	42"	12"	40.8"	10.7"	40"	10"

Image shown is hinge right

PRODUCT SPECS WALL CABINETS

Installing a Blind Wall Cabinet

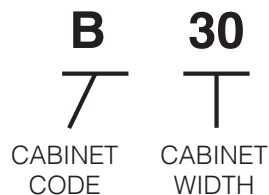
Proper installation ensures that the doors will open and show correct reveal



- Choose the blind side and assemble accordingly
- Place cabinet against the back wall and position the blind side 1-3" away from the adjacent wall
- Place at least a 3" filler next to the adjacent cabinet (*filler is not included*)

PRODUCT SPECS BASE CABINETS

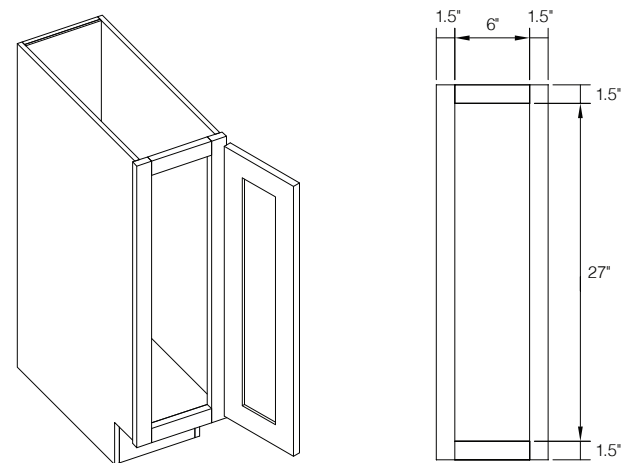
Base Cabinet Coding



Notes:

- Standard base cabinets are 24" deep and 34.5" high.
- Add door thickness for total cabinet depth.
- Please refer to the Products by Cabinet Line chart to determine which products are carried for each cabinet line.
- Napa White has a single drawer on all sizes.

Single Door Full Height Base

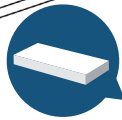
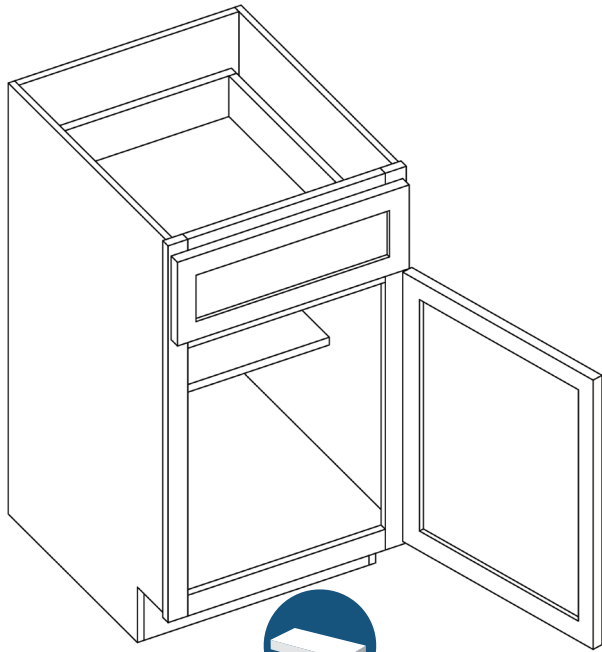


Item Code	Outer Dimensions			Opening Size	
	W	H	D	W	H
B09	9"	34.5"	24"	6"	27"

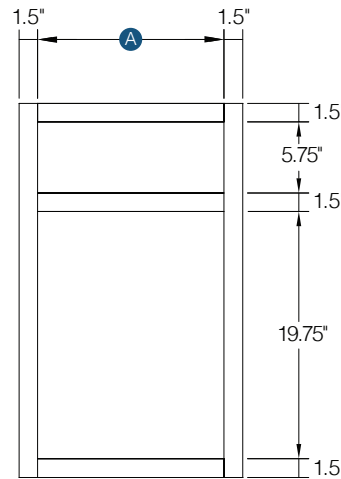
Item Code	Premier		Builder	
	Door Size		Door Size	
	W	H	W	H
B09	8.5"	28.75"	7"	28"

PRODUCT SPECS BASE CABINETS

Single Door Standard Base



INCLUDES
One Shelf



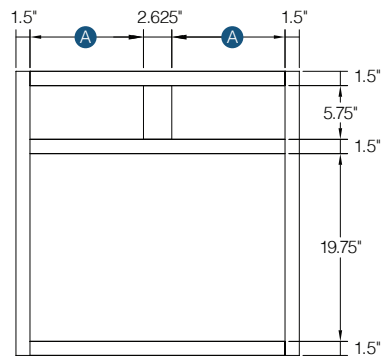
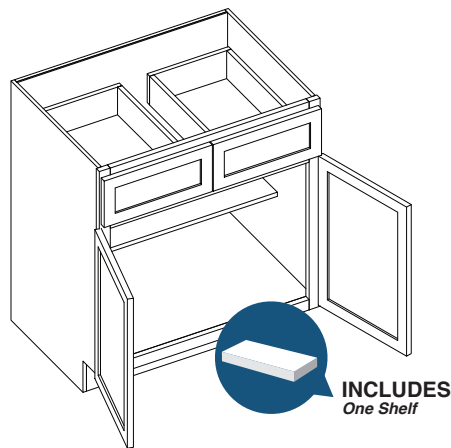
Item Code	Outer Dimensions			Drawer Opening		Door Opening	
	W	H	D	A	H	A	H
B12	12"	34.5"	24"	9"	5.75"	9"	19.75"
B15	15"	34.5"	24"	12"	5.75"	12"	19.75"
B18	18"	34.5"	24"	15"	5.75"	15"	19.75"
B21	21"	34.5"	24"	18"	5.75"	18"	19.75"

Item Code	Premier				Builder			
	Drawer Front Size		Door Size		Drawer Front Size		Door Size	
	W	H	W	H	W	H	W	H
B12	11.5"	6.75"	11.5"	21.5"	10"	6.7"	10"	20.7"
B15	14.5"	6.75"	14.5"	21.5"	13"	6.7"	13"	20.7"
B18	17.5"	6.75"	17.5"	21.5"	16"	6.7"	16"	20.7"
B21	20.5"	6.75"	20.5"	21.5"	19"	6.7"	19"	20.7"

Builder has slab front drawer

PRODUCT SPECS BASE CABINETS

Double Door Standard Base



Item Code	Outer Dimensions			Drawer Opening (x2)		Door Opening	
	W	H	D	A	H	A	H
B24-2*	24"	34.5"	24"	21"	5.75"	21"	19.75"
B27	27"	34.5"	24"	10.6875"	5.75"	24"	19.75"
B30	30"	34.5"	24"	12.1875"	5.75"	27"	19.75"
B33	33"	34.5"	24"	13.6875"	5.75"	30"	19.75"
B36	36"	34.5"	24"	15.1875"	5.75"	33"	19.75"
B39	39"	34.5"	24"	16.6875"	5.75"	36"	19.75"

Item Code	Premier				Builder			
	Drawer Front Size (x2)		Door Size (x2)		Drawer Front Size (x2)		Door Size (x2)	
	W	H	W	H	W	H	W	H
B24-2*	23.5"	6.75"	11.6875"	21.5"	22"	6.7"	11"	20.7"
B27	13.1875"	6.75"	13.1875"	21.5"	12.5"	6.7"	12.5"	20.7"
B30	14.6875"	6.75"	14.6875"	21.5"	14"	6.7"	14"	20.7"
B33	16.1875"	6.75"	16.1875"	21.5"	15.5"	6.7"	15.5"	20.7"
B36	17.6875"	6.75"	17.6875"	21.5"	16.9"	6.7"	16.9"	20.7"
B39	19.1875"	6.75"	19.1875"	21.5"	18.45"	6.7"	18.45"	20.75"

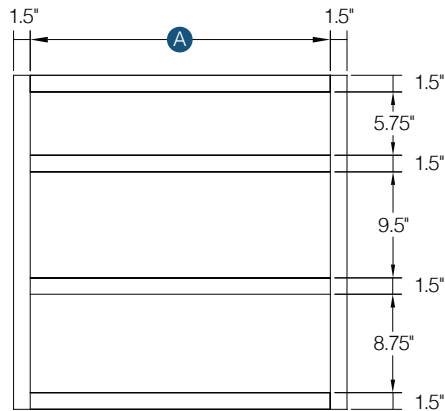
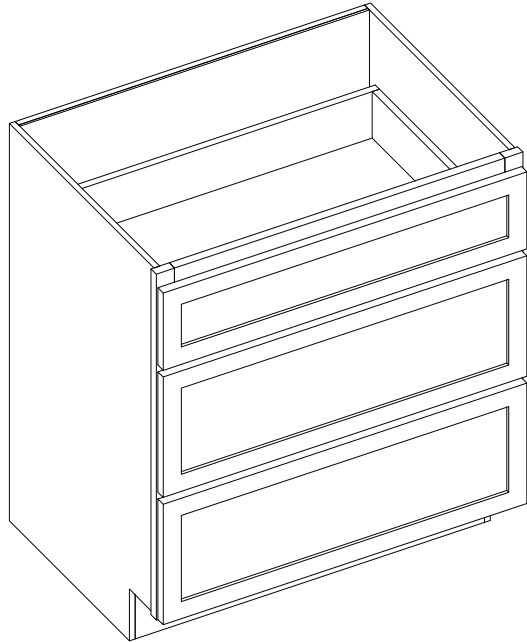
Napa White has a single drawer front on all widths up to 36"

*Includes one drawer and two doors

Builder has slab front drawer

PRODUCT SPECS BASE CABINETS

12" - 24" Three Drawer Base



Item Code	Outer Dimensions			Top Opening		Premier		Builder	
						Top Drawer Front Size		Top Drawer Front Size	
	W	H	D	A	H	A	H	A	H
DB12-3	12"	34.5"	24"	9"	5.75"	11.5"	6.75"	10"	6.7"
DB15-3	15"	34.5"	24"	12"	5.75"	14.5"	6.75"	13"	6.7"
DB18-3	18"	34.5"	24"	15"	5.75"	17.5"	6.75"	16"	6.7"
DB21-3	21"	34.5"	24"	18"	5.75"	20.5"	6.75"	19"	6.7"
DB24-3	24"	34.5"	24"	21"	5.75"	23.5"	6.75"	22"	6.7"

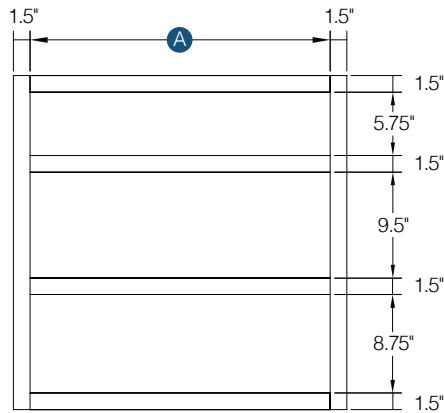
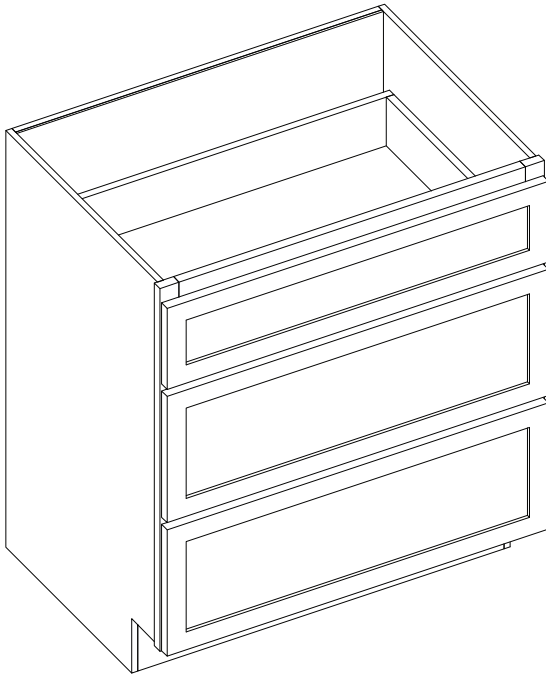
Item Code	Middle Opening		Premier		Builder	
			Middle Drawer Front Size		Middle Drawer Front Size	
	A	H	A	H	A	H
DB12-3	9"	9.5"	11.5"	10.5"	10"	10.1"
DB15-3	12"	9.5"	14.5"	10.5"	13"	10.1"
DB18-3	15"	9.5"	17.5"	10.5"	16"	10.1"
DB21-3	18"	9.5"	20.5"	10.5"	19"	10.1"
DB24-3	21"	9.5"	23.5"	10.5"	22"	10.1"

Item Code	Bottom Opening		Bottom Drawer Front Size		Bottom Drawer Front Size	
	A	H	A	H	A	H
DB12-3	9"	8.75"	11.5"	10.5"	10"	10.1"
DB15-3	12"	8.75"	14.5"	10.5"	13"	10.1"
DB18-3	15"	8.75"	17.5"	10.5"	16"	10.1"
DB21-3	18"	8.75"	20.5"	10.5"	19"	10.1"
DB24-3	21"	8.75"	23.5"	10.5"	22"	10.1"

*Only available in Shaker & Brooklyn
Builder has slab front drawer

PRODUCT SPECS BASE CABINETS

27" - 36" Three Drawer Base



Item Code	Outer Dimensions			Top Opening		Premier		Builder	
						Top Drawer Front Size		Top Drawer Front Size	
	W	H	D	A	H	A	H	A	H
DB27-3*	27"	34.5"	24"	24"	5.75"	26.5"	6.75"	-	-
DB30-3	30"	34.5"	24"	27"	5.75"	29.5"	6.75"	28"	6.7"
DB33-3*	33"	34.5"	24"	30"	5.75"	32.5"	6.75"	-	-
DB36-3	36"	34.5"	24"	33"	5.75"	35.5"	6.75"	-	-

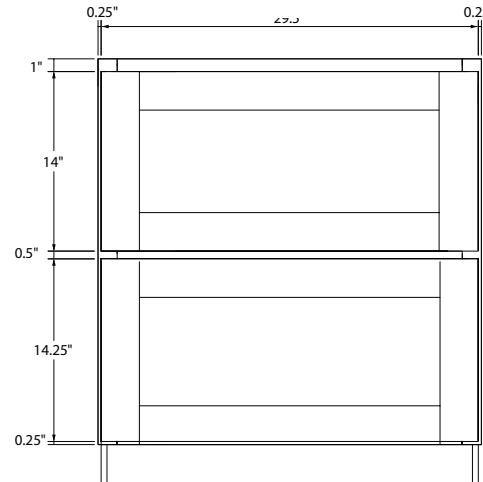
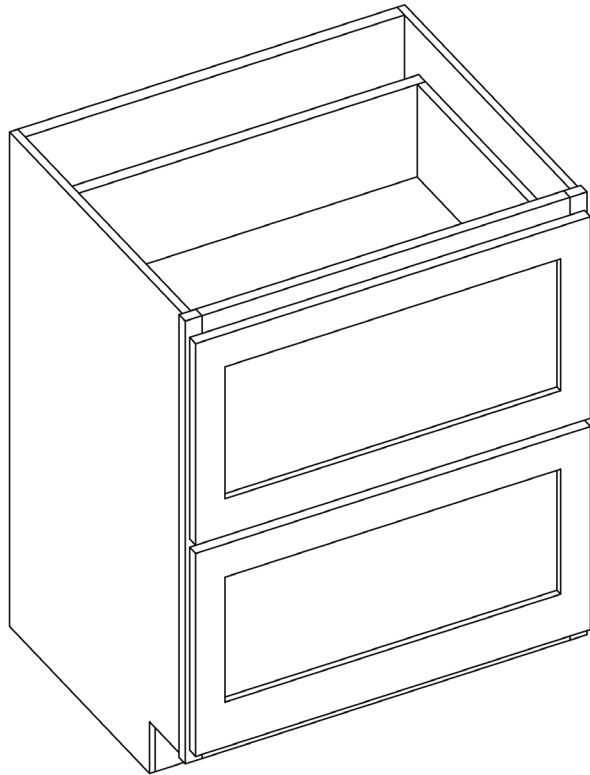
Item Code	Middle Opening		Premier		Builder	
			Middle Drawer Front Size		Middle Drawer Front Size	
	A	H	A	H	A	H
DB27-3	24"	9.5"	26.5"	10.5"	-	-
DB30-3	27"	9.5"	29.5"	10.5"	28"	10.1"
DB33-3	30"	9.5"	32.5"	10.5"	-	-
DB36-3	33"	9.5"	35.5"	10.5"	-	-

Item Code	Bottom Opening		Bottom Drawer Front Size		Bottom Drawer Front Size	
	A	H	A	H	A	H
DB27-3	24"	8.75"	26.5"	10.5"	-	-
DB30-3	27"	8.75"	29.5"	10.5"	28"	10.1"
DB33-3	30"	8.75"	32.5"	10.5"	-	-
DB36-3	33"	8.75"	35.5"	10.5"	-	-

*Only available in Shaker & Brooklyn
Builder has slab front drawer

PRODUCT SPECS BASE CABINETS

Two Drawer Base

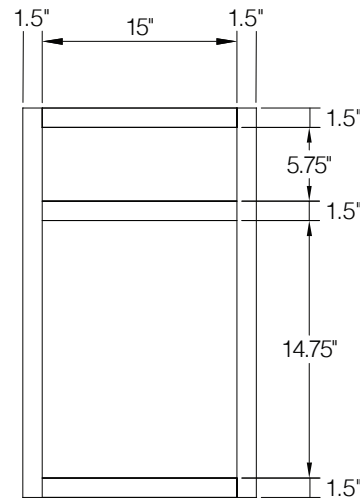
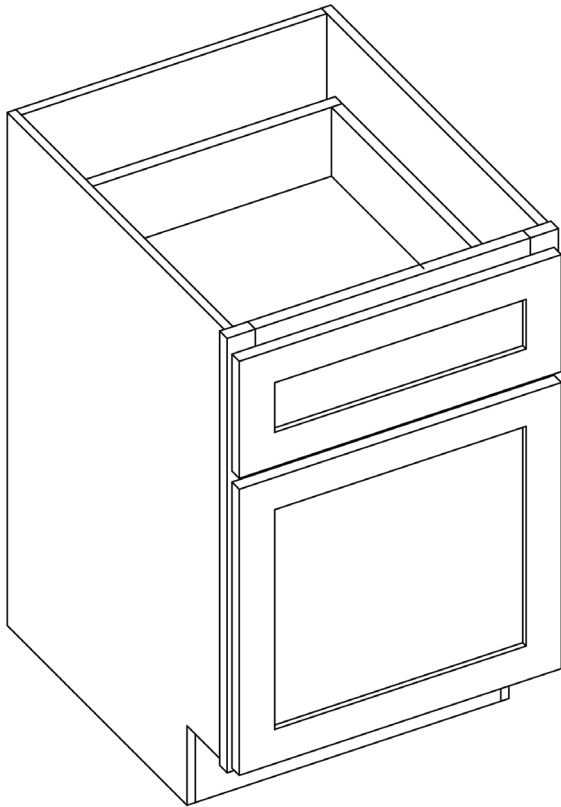


Item Code	Outer Dimensions			Top Opening		Premier		Builder
						Top Drawer Front Size		-
	W	H	D	W	H	W	H	-
DB30-2	30"	34.5"	24"	27"	13"	29.5"	14"	-
DB36-2	36"	34.5"	24"	27"	13"	29.5"	14"	-

Item Code	Bottom Opening		Premier		Builder
			Bottom Drawer Front Size		-
	W	H	W	H	-
DB30-2	27"	12.5"	29.5"	14.25"	-
DB36-2	27"	12.5"	29.5"	14.25"	-

PRODUCT SPECS BASE CABINETS

Desk Drawer Base

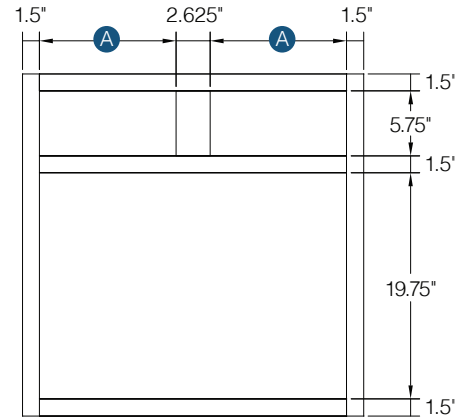
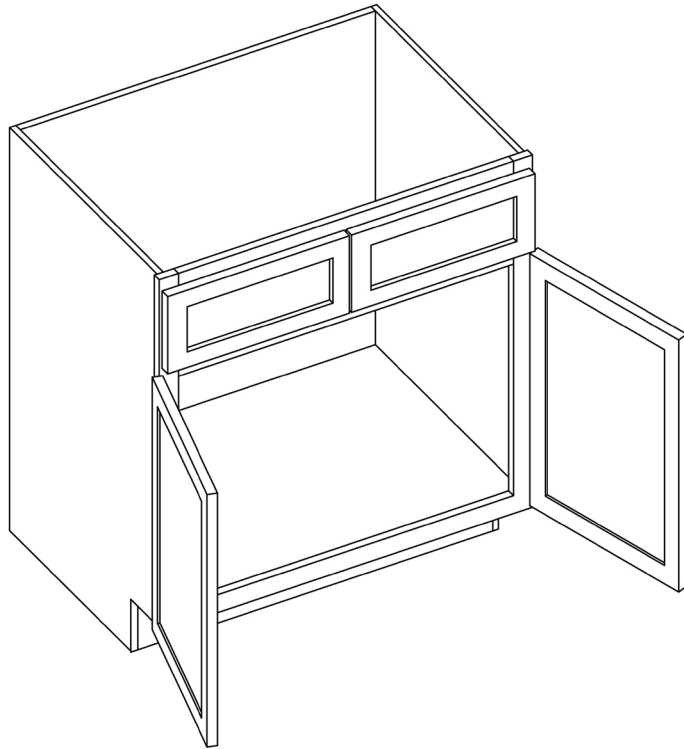


Item Code	Outer Dimensions			Top Opening		Premier		Builder
						Top Drawer Front Size		-
	W	H	D	W	H	W	H	-
DDB18	18"	29.5"	24"	15"	5.75"	17.5"	6.75"	-

Item Code	Bottom Opening		Premier		Builder
			Bottom Drawer Front Size		-
	W	H	W	H	-
DDB18	15"	14.75"	17.5"	16.5"	-

PRODUCT SPECS BASE CABINETS

Sink Base



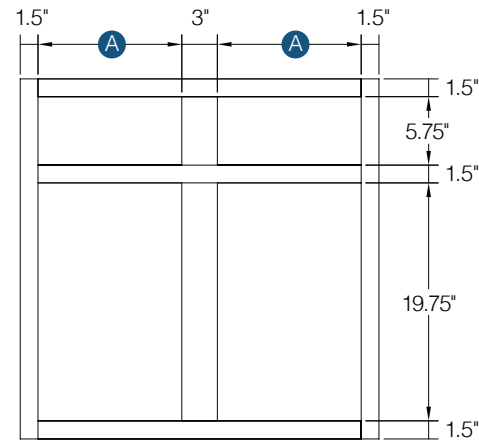
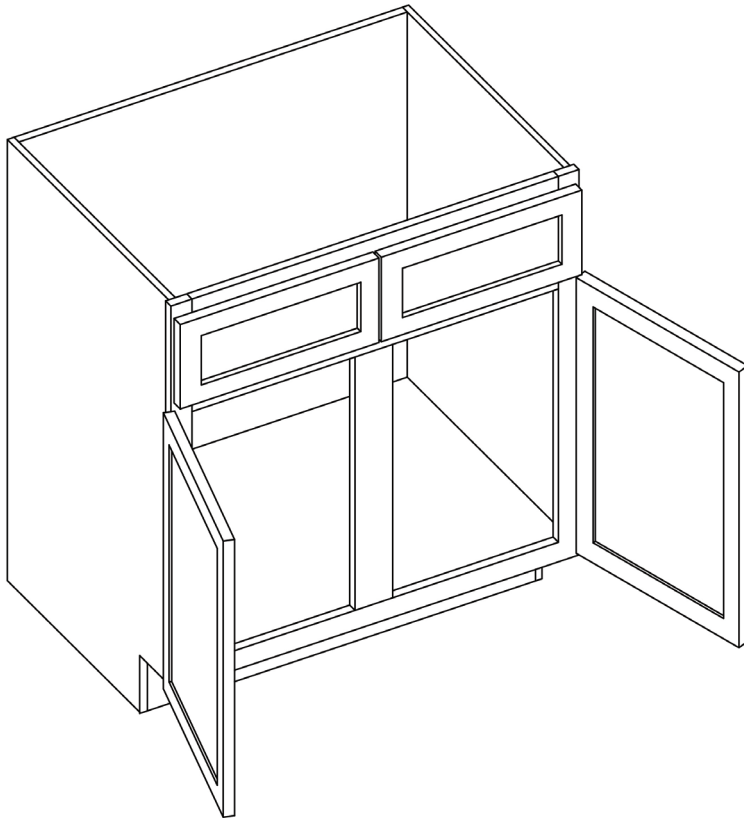
Item Code	Outer Dimensions			False Drawer Opening (x2)		Door Opening	
	W	H	D	A	H	B	H
SB30	30"	34.5"	24"	12.1875"	5.75"	27"	19.75"
SB33	33"	34.5"	24"	13.6875"	5.75"	30"	19.75"
SB36	36"	34.5"	24"	15.1875"	5.75"	33"	19.75"

Item Code	Premier				Builder			
	False Drawer Front Size (x2)		Door Size (x2)		False Drawer Front Size (x2)		Door Size (x2)	
	W	H	W	H	W	H	W	H
SB30	14.6875"	6.75"	14.6875"	21.5"	14"	6.7"	10"	20.7"
SB33	16.1875"	6.75"	16.1875"	21.5"	15.5"	6.7"	15.5"	20.7"
SB36	17.6875"	6.75"	17.6875"	21.5"	16.9"	6.7"	16.9"	20.7"

Builder has slab front drawer

PRODUCT SPECS BASE CABINETS

Sink Base with Center Stile



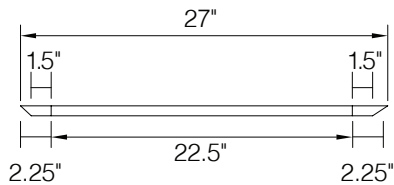
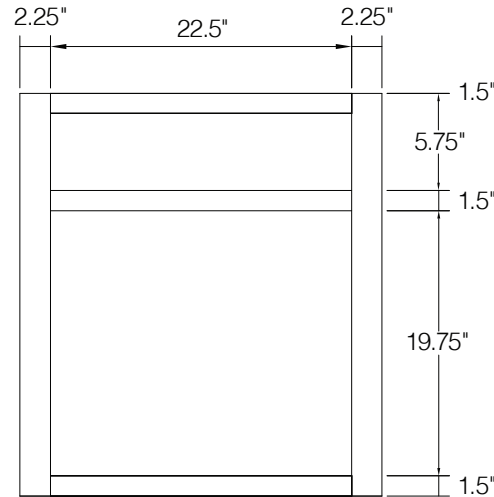
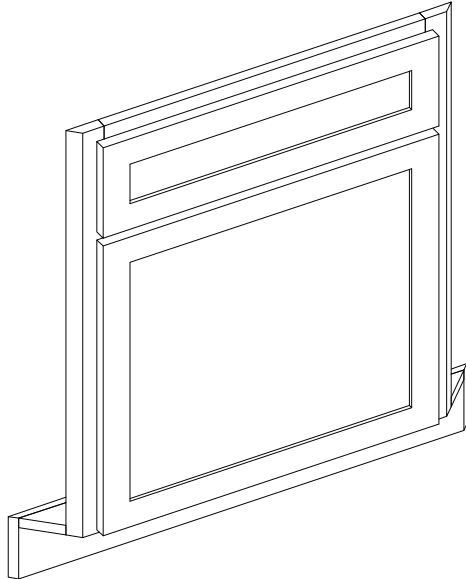
Item Code	Outer Dimensions			False Drawer Opening (x2)		Door Opening	
	W	H	D	A	H	W	H
SB42	42"	34.5"	24"	18"	5.75"	18"	19.75"
SB48	48"	34.5"	24"	21"	5.75"	21"	19.75"

Item Code	Premier				Builder			
	False Drawer Front Size (x2)		Door Size (x2)		False Drawer Front Size (x2)		Door Size (x2)	
	W	H	W	H	W	H	W	H
SB42	20.5"	6.75"	20.5"	21.5"	19"	6.7"	19"	20.7"
SB48	23.5"	6.75"	23.5"	21.5"	-	-	-	-

Builder has slab front drawer

PRODUCT SPECS BASE CABINETS

Corner Sink Front



Item Code	Outer Dimensions			Door Opening		Premier		Builder	
						Door Size		Door Size	
	W	H	D	W	H	W	H	W	H
CSF42	27"	34.5"	2"	22.5"	19.75"	23.5"	21.5"	23.5"	20.7"

Item Code	False Drawer Opening		Premier		Builder	
			False Drawer Front Size		False Drawer Front Size	
	W	H	W	H	W	H
CSF42	22.5"	5.75"	23.5"	6.75"	23.5"	6.7"

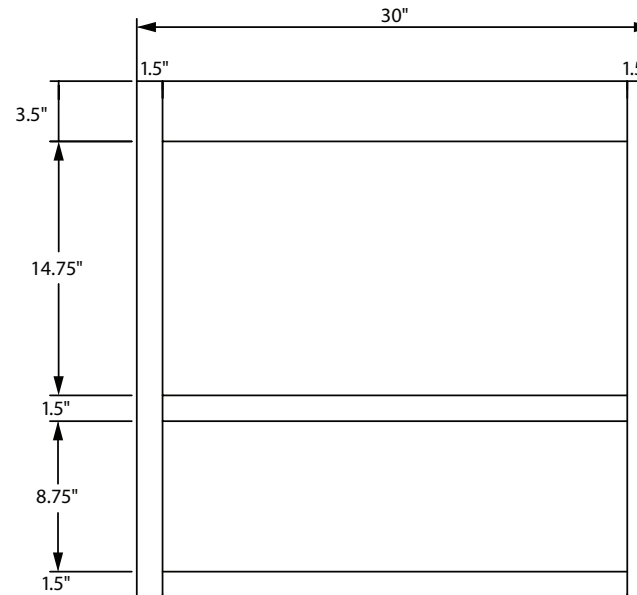
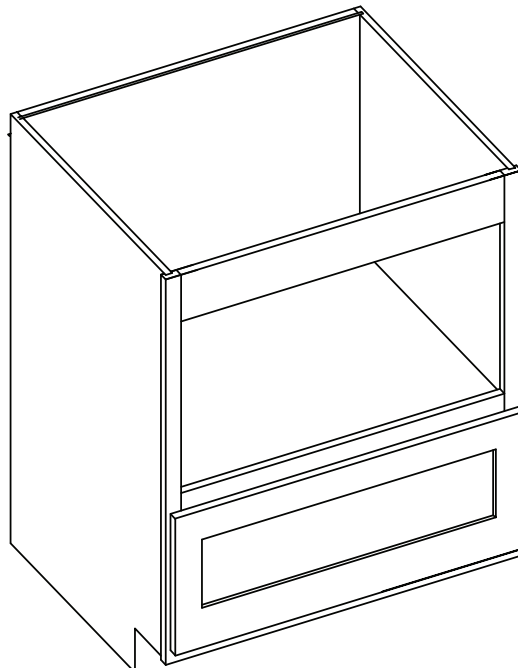
Back of face frame measures 27" wide
Hinges sold separately

Sink floor sold separately - YN-CSF-FLOOR

Builder comes with slab false drawer

PRODUCT SPECS BASE CABINETS

Microwave Base Cabinet

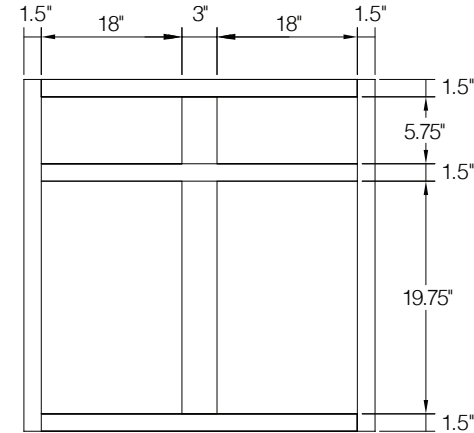
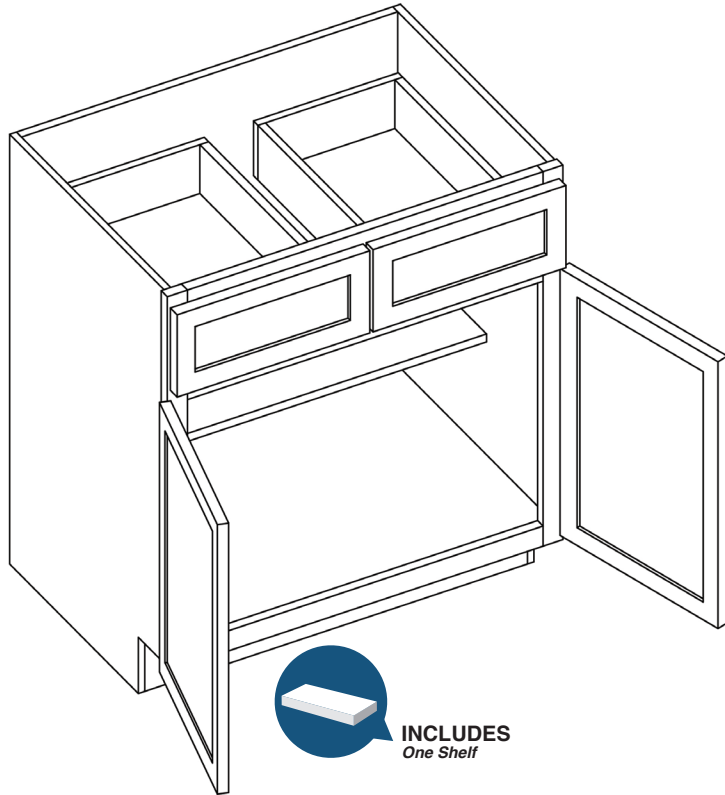


Item Code	Outer Dimensions			Top Opening		Bottom Opening		Premier		Builder
								Drawer Size		-
	W	H	D	W	H	W	H	W	H	-
MBC30	30"	34.5"	24"	27"	14.75"	27"	8.75"	29.5"	10.5"	-

Comes with finished interior

PRODUCT SPECS BASE CABINETS

Double Door Standard Base Cabinet with Center Stile



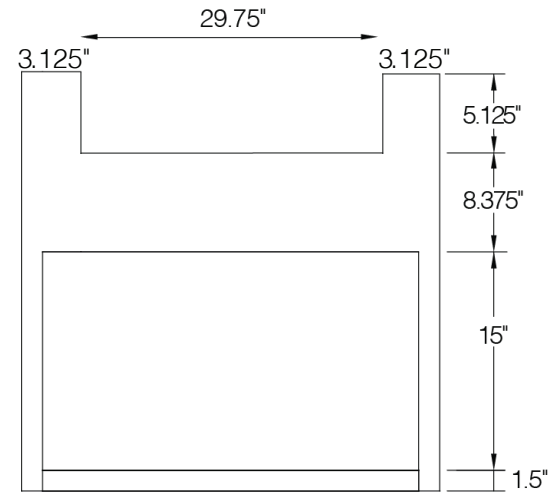
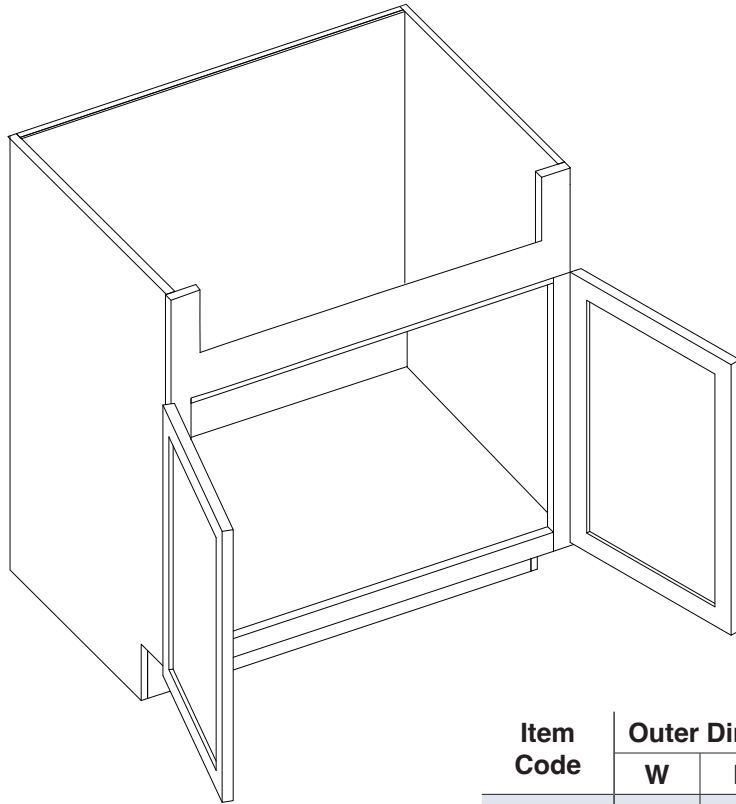
Item Code	Outer Dimensions			Drawer Opening (x2)		Door Opening (x2)	
	W	H	D	W	H	W	H
B42	42"	34.5"	24"	18"	5.75"	18"	19.75"

Item Code	Premier				Builder			
	Drawer Front Size (x2)		Door Size (x2)		Drawer Front Size (x2)		Door Size (x2)	
	W	H	W	H	W	H	W	H
B42	20.5"	6.75"	20.5"	21.5"	20"	6.7"	20"	20.75"

Builder has slab front drawer

PRODUCT SPECS BASE CABINETS

36" Farm House Sink Base

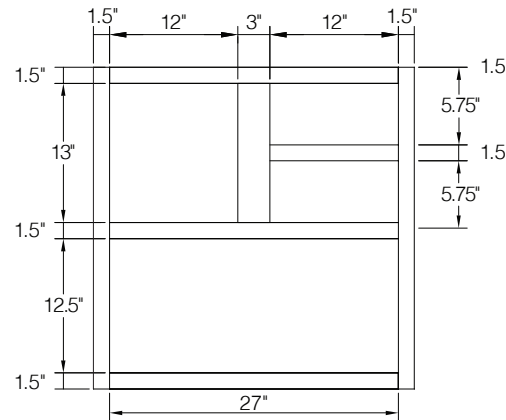
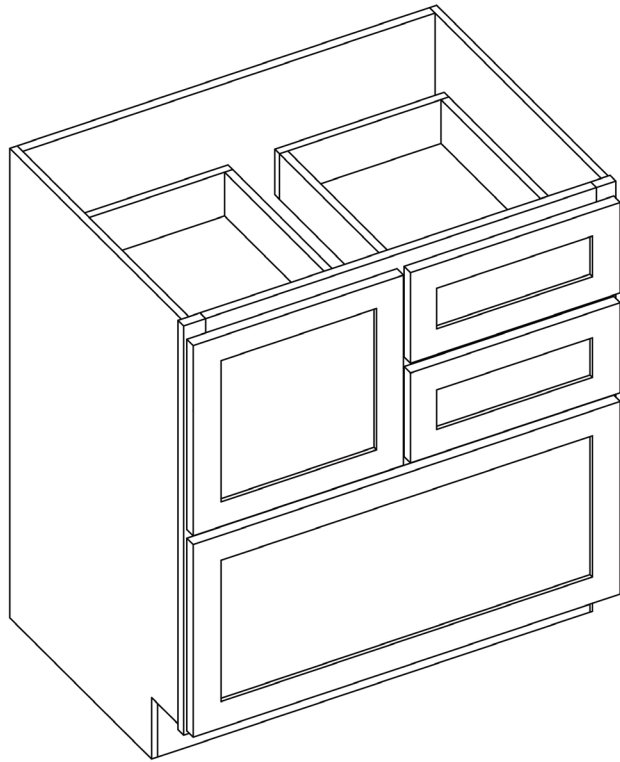


Item Code	Outer Dimensions			Door Opening	
	W	H	D	W	H
FSB36	36"	34.5"	24"	33"	15"

Item Code	Premier		Builder
	Door Size (x2)		-
	W	H	-
FSB36	17.687"	17"	-

PRODUCT SPECS BASE CABINETS

Cooking Center



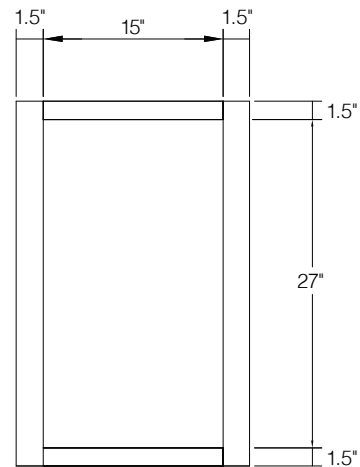
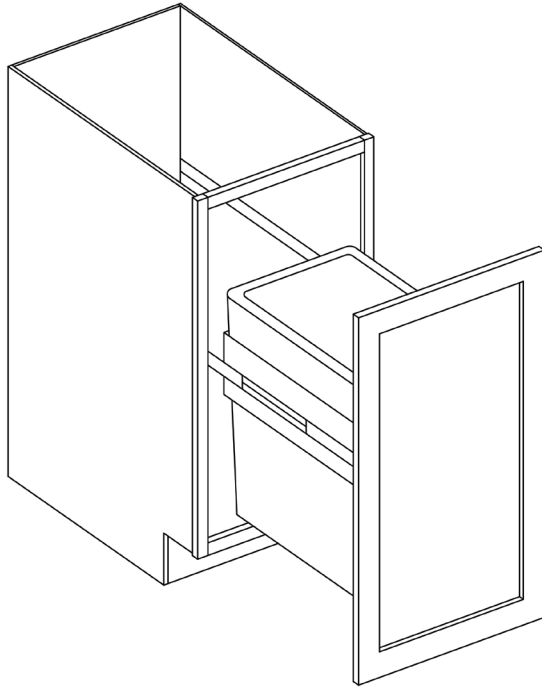
Item Code	Outer Dimensions			Top Opening (x2)		Premier		Builder
						Top Drawer Front Size (x2)		-
	W	H	D	W	H	W	H	-
CC30	30"	34.5"	24"	12"	5.75"	14.5"	6.75"	-

Item Code	Left Drawer Front Size		Premier		Builder
			Left Drawer Front Size		-
	W	H	W	H	-
CC30	12"	13"	14.5"	14"	-

Item Code	Bottom Drawer Opening		Premier		Builder
			Bottom Drawer Front Size		-
	W	H	W	H	-
CC30	27"	12.5"	29.5"	14.25"	-

PRODUCT SPECS BASE CABINETS

Trash Can Base Cabinet (Full Height Door)



Item Code	Outer Dimensions			Opening Size		Premier	Builder	
	W	H	D	W	H	Door Size		
						W	H	
TRB-1*	18"	34.5"	24"	15"	27"	17.5"	28.75"	-
TRB-2**	18"	34.5"	24"	15"	27"	17.5"	28.75"	-

TRB-1 shown

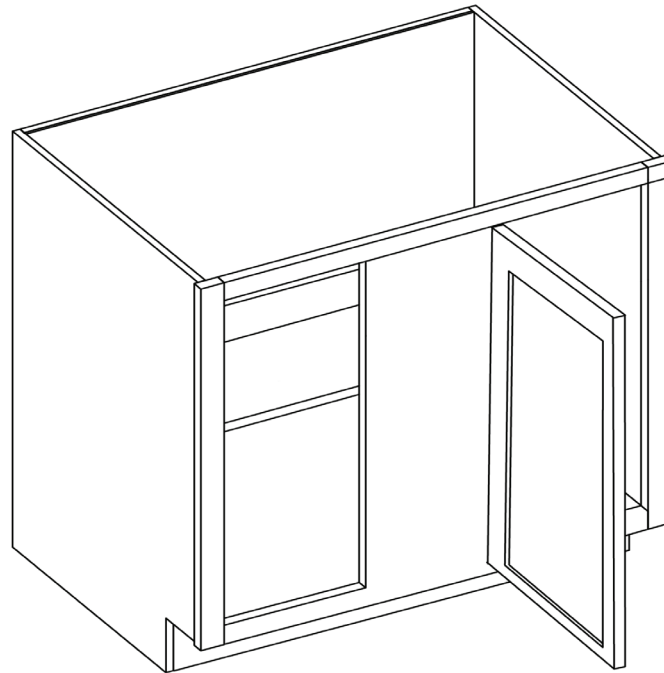
* Includes one 50 QT can

** Includes two 35 QT cans

Trash Can Insert (TCK) for B18 also available on page 70

PRODUCT SPECS BASE CABINETS

36" Blind Base Cabinet



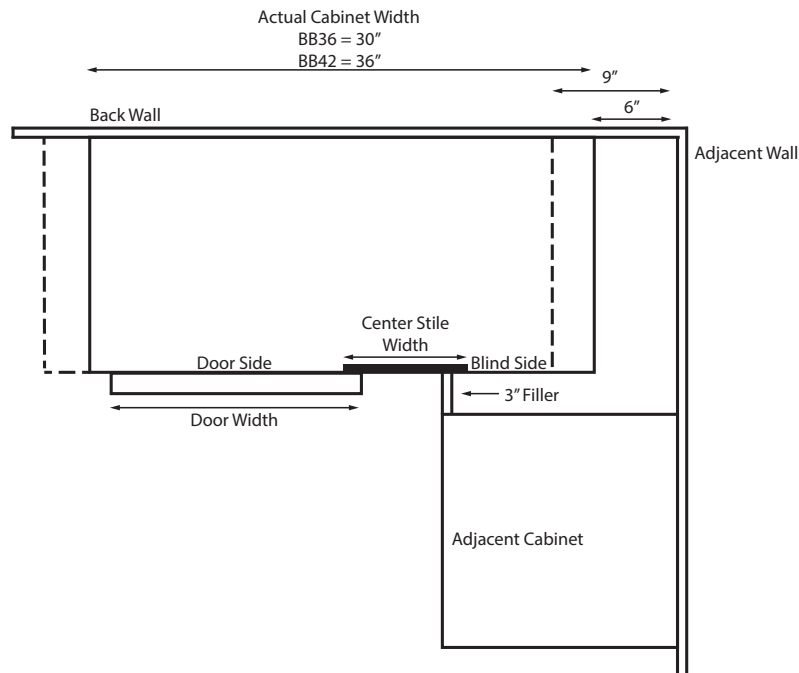
Item Code	Outer Dimensions			Door Opening		Premier		Builder	
						Door Size		Door Size	
	W	H	D	W	H	W	H	W	H
BB36	30"	34.5"	24"	9"	27"	11.5"	28.75"	10"	28"

Image shown with hinge left

PRODUCT SPECS BASE CABINETS

Installing a 36" - 42" Blind Base

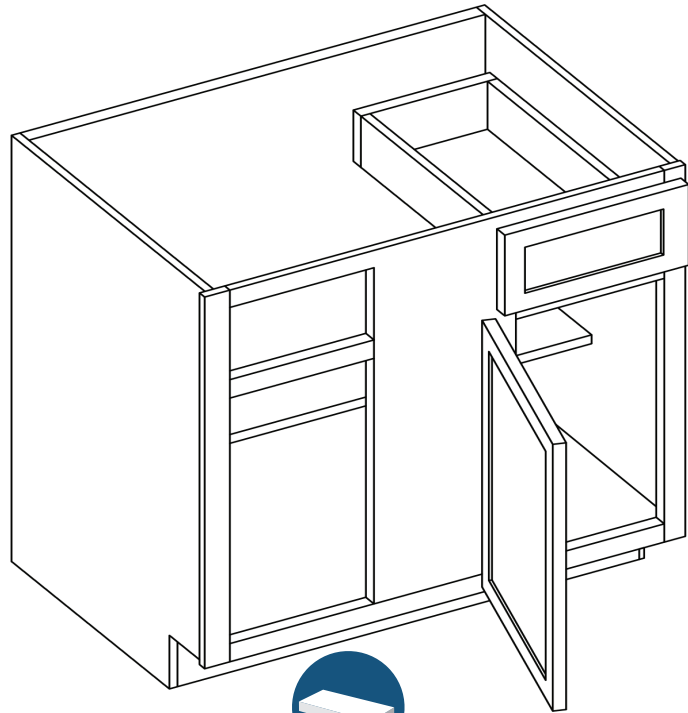
Proper installation ensures that the drawer will clear hardware, and doors will open, and show correct reveal



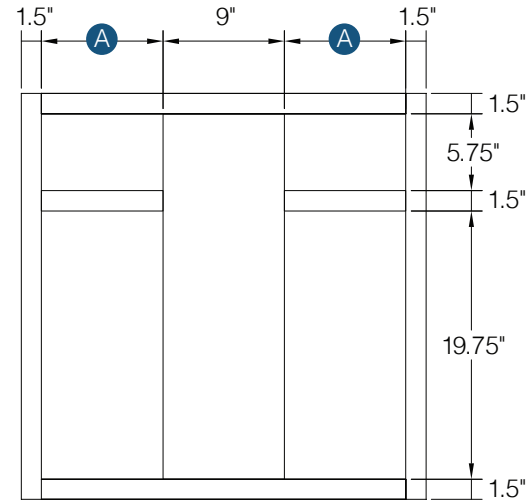
- Choose the blind side and assemble accordingly
- Place the cabinet back against the back wall
 - BB36 and BB42 – position the blind side 6"-9" away from the adjacent wall
- Place at least a 3" filler next to the adjacent cabinet
(filler is not included)

PRODUCT SPECS BASE CABINETS

42" - 48" Blind Base



INCLUDES
One Shelf



Item Code	Outer Dimensions			Drawer Opening		Door Opening	
	W	H	D	A	H	A	H
BB42	36"	34.5"	24"	12"	5.75"	12"	19.75"
BB48	48"	34.5"	24"	18"	5.75"	18"	19.75"

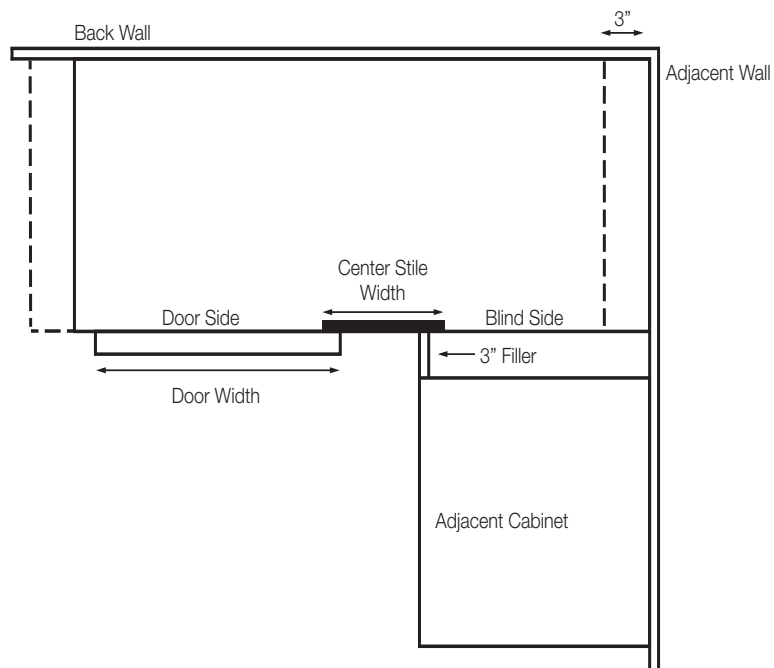
Item Code	Premier				Builder			
	Drawer Front Size		Door Size		Drawer Front Size		Door Size	
	W	H	W	H	W	H	W	H
BB42	14.5"	6.75"	14.5"	21.5"	13"	6.7"	13"	20.7"
BB48	20.5"	6.75"	20.5"	21.5"	19"	6.7"	19"	20.7"

Image shown with hinge left
Builder has slab front drawer

PRODUCT SPECS BASE CABINETS

Installing a 48" Blind Base

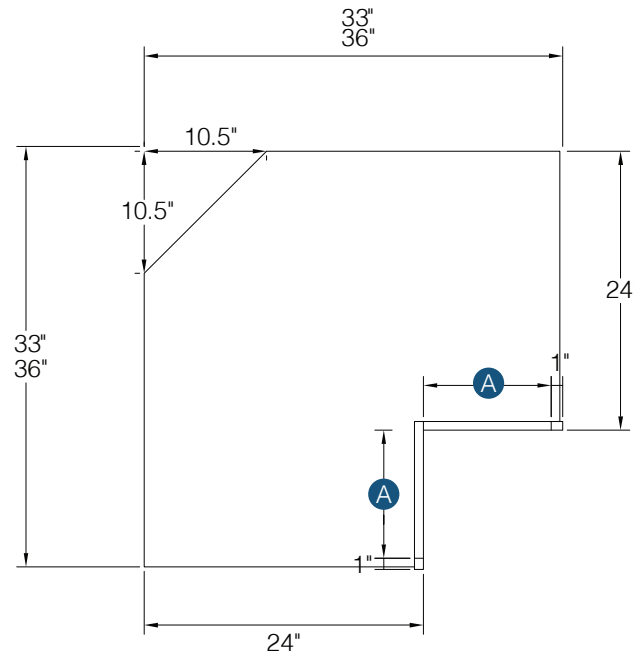
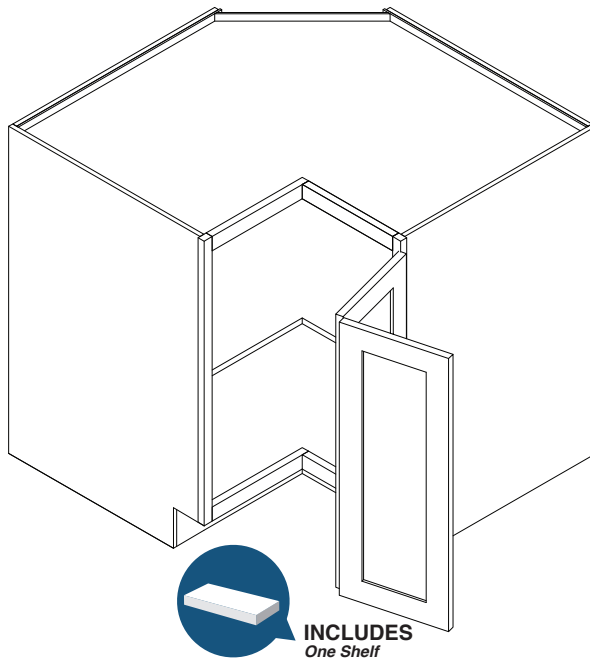
Proper installation ensures that the drawer will clear hardware, and doors will open, and show correct reveal



- Choose the blind side and assemble accordingly
- Place the cabinet back against the back wall
 - BB48 – position the blind side 0"-3" away from the adjacent wall
- Place at least a 3" filler next to the adjacent cabinet
(filler is not included)

PRODUCT SPECS BASE CABINETS

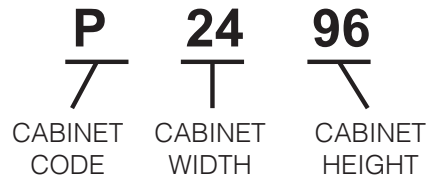
Easy Reach



Item Code	Outer Dimensions			Door Opening		Premier		Builder	
						Door Size		Door Size	
	W	H	D	A	H	A	H	W	H
ER33	33"	34.5"	24"	8.75"	27"	7.75"	28.75"	-	-
ER36	36"	34.5"	24"	11.75"	27"	10.875"	28.75"	10"	28"

PRODUCT SPECS TALL CABINETS

Tall Cabinet Coding

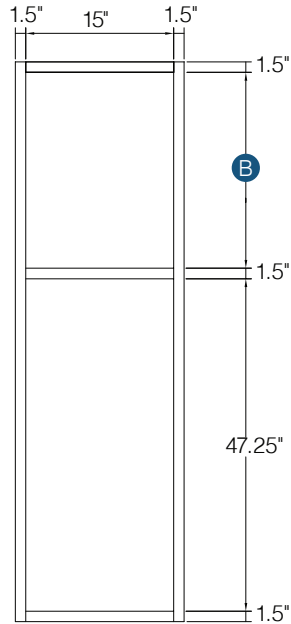
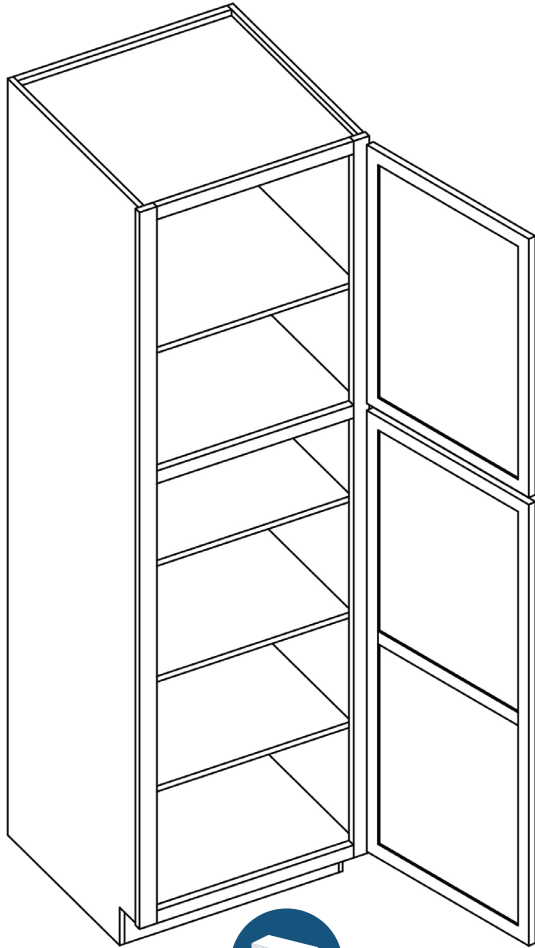


Notes:

- Standard tall cabinets are 24" deep.
- Add door thickness for total cabinet depth.
- Please refer to the Products by Cabinet Line chart to determine which products are carried for each cabinet line.

PRODUCT SPECS TALL CABINETS

Single Door Pantry



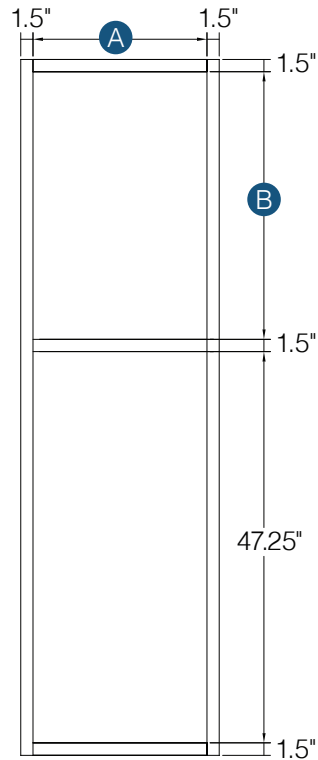
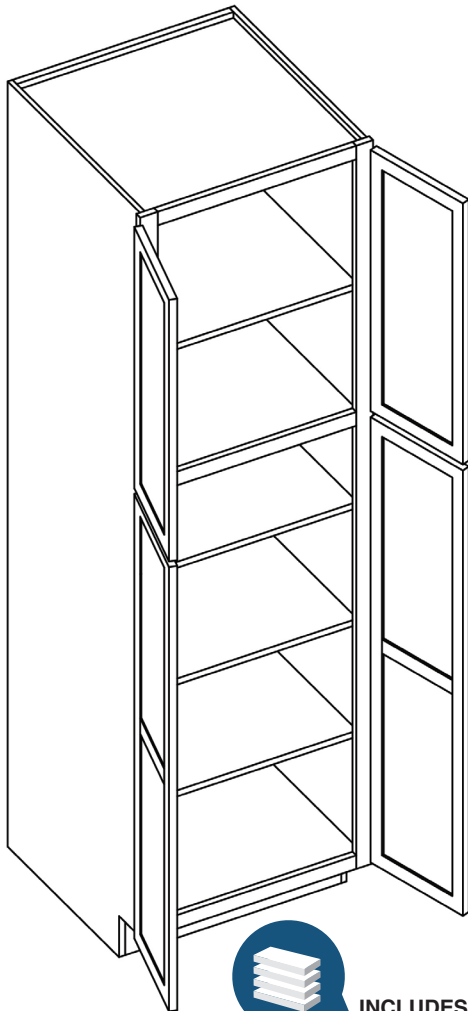
Item Code	Outer Dimensions			Top Opening		Premier		Builder	
						Top Door Size		Top Door Size	
	W	H	D	W	B	W	H	W	H
P1884	18"	84"	24"	15"	27.75"	17.5"	28.75"	16"	28"
P1890	18"	90"	24"	15"	33.75"	17.5"	34.75"	16"	34"
P1896	18"	96"	24"	15"	39.75"	17.5"	40.75"	16"	40"

Item Code	Bottom Opening		Premier		Builder	
			Bottom Door Size		Bottom Door Size	
	W	B	W	H	W	H
P1884	15"	47.25"	17.5"	49"	16"	48.9"
P1890	15"	47.25"	17.5"	49"	16"	48.9"
P1896*	15"	47.25"	17.5"	49"	16"	48.9"

*Includes 5 shelves

PRODUCT SPECS TALL CABINETS

Double Door Pantry



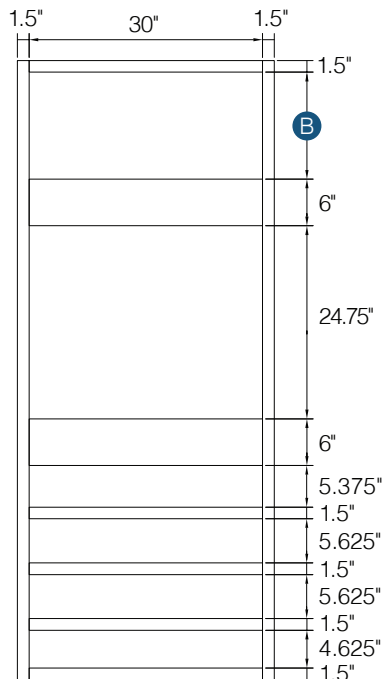
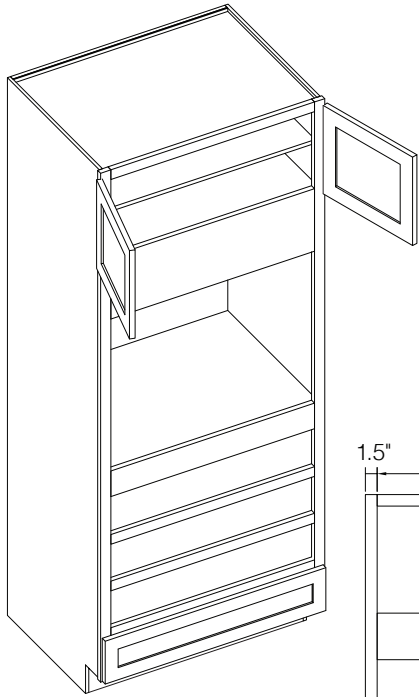
Item Code	Outer Dimensions			Top Opening		Premier		Builder
						Top Door Size		-
	W	H	D	A	B	W	H	-
P2484	24"	84"	24"	21"	27.75"	11.6875"	28.75"	-
P2490	24"	90"	24"	21"	33.75"	11.6875"	34.75"	-
P2496*	24"	96"	24"	21"	39.75"	11.6875"	40.75"	-
P3090	30"	90"	24"	27"	33.75"	17.6875"	34.75"	-
P3096*	30"	96"	24"	27"	39.75"	17.6875"	40.75"	-

Item Code	Bottom Opening		Premier		Builder
			Bottom Door Size		-
	W	H	W	H	-
P2484	21"	47.25"	11.6875"	49"	-
P2490	21"	47.25"	11.6875"	49"	-
P2496*	21"	47.25"	11.6875"	49"	-
P3090	27"	47.25"	17.6875"	49"	-
P3096*	27"	47.25"	17.6875"	49"	-

*Includes 5 shelves

PRODUCT SPECS TALL CABINETS

Oven Cabinet



Item Code	Outer Dimensions		
	W	H	D
OC3390*	33"	90"	24"
OC3396**	33"	96"	24"

Item Code	Door Opening		Premier		Builder	
			Door Size		Door Size	
	W	B	W	H	W	H
OC3390*	30"	19.75"	16.1875"	21.5"	15.5"	20.7"
OC3396**	30"	25.75"	16.1875"	27.5"	15.5"	26.7"

Item Code	Top Drawer Opening		Premier		Builder	
			Top Drawer Front Size		Top Drawer Front Size	
	W	H	W	H	W	H
OC3390*	30"	5.375"	32.5"	6.75"	31"	6.7"
OC3396**	30"	5.375"	32.5"	6.75"	31"	6.7"

Item Code	Middle Drawer Opening		Premier		Builder	
			Middle Drawer Front Size		Middle Drawer Front Size	
	W	H	W	H	W	H
OC3390*	30"	5.375"	32.5"	6.75"	31"	6.7"
OC3396**	30"	5.375"	32.5"	6.75"	31"	6.7"

Item Code	Bottom Drawer Opening		Premier		Builder	
			Bottom Drawer Front Size		Bottom Drawer Front Size	
	W	H	W	H	W	H
OC3390*	30"	4.375"	32.5"	6.75"	31"	6.7"
OC3396**	30"	4.375"	32.5"	6.75"	31"	6.7"

Oven Cabinets have one drawer included (OCD337)

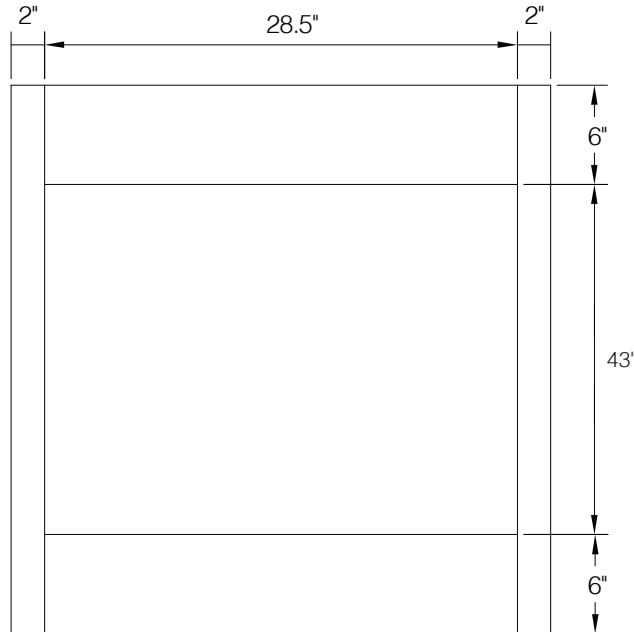
Comes with finished interior

*Includes 1 shelf

**Includes 2 shelves

PRODUCT SPECS TALL CABINETS

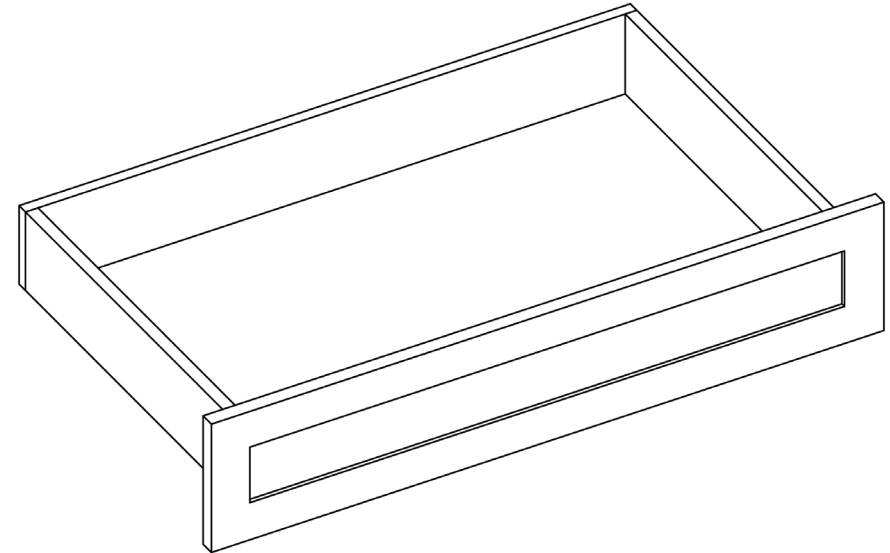
Oven Cabinet Overlay Panel



Item Code	Outer Dimensions			Premier		Builder	
				Opening Size		Opening Size	
	W	H	D	W	H	W	H
OP3353	33"	55"	0.75"	28.5"	43"	28.5"	43"

Overlay shipped loose for field installation on oven cabinet
Trim overlay as needed to fit oven door profile and attach to the cabinet frame

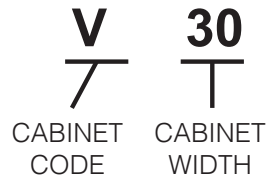
Oven Cabinet Drawer



Item Code	Premier		Builder	
	Drawer Size		Drawer Size	
	W	H	W	H
OCD337	32.5"	6.85"	31"	6.7"

One drawer included with Oven Cabinet
Builder has slab front drawer

Vanity Cabinet Coding



Notes:

- Standard vanity cabinets are 21" deep.
- Add door thickness for total cabinet depth.
- Please refer to the Products by Cabinet Line chart to determine which products are carried for each cabinet line.
- Napa White has a single drawer on all sizes.

PRODUCT SPECS VANITY CABINETS

Vanity Combo Cabinet 30"

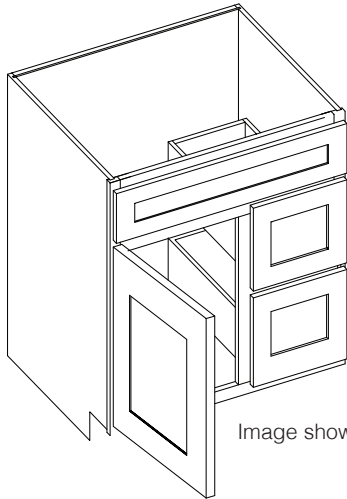


Image shown DL

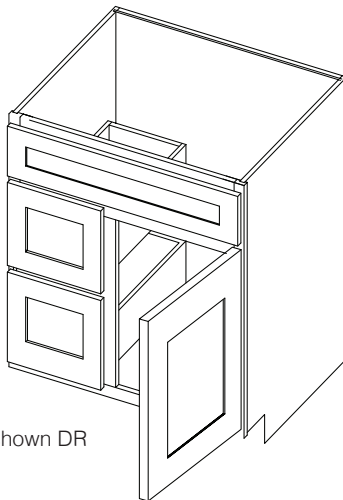


Image shown DR

Item Code	Outer Dimensions			False Drawer Opening		Door Opening	
	W	H	D	W	H	W	H
VSBDL30	30"	34.5"	21"	11.5"	5.75"	15"	19.75"
VSBDL30	30"	34.5"	21"	11.5"	5.75"	15"	19.75"

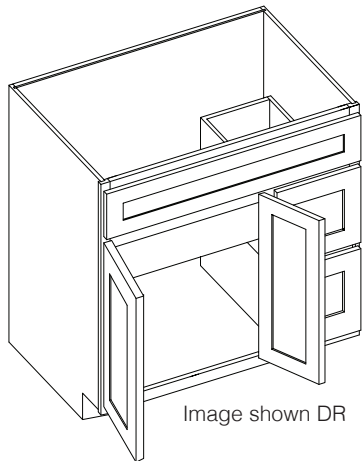
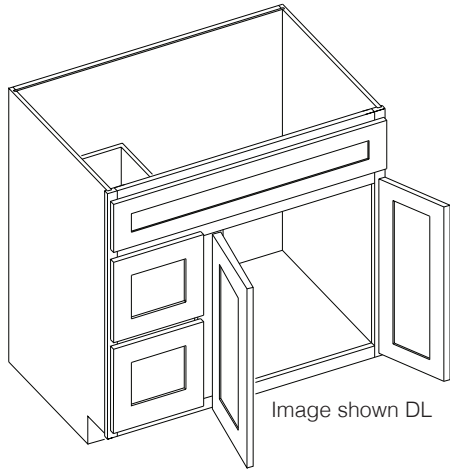
Item Code	False Drawer Front Size		Premier		Builder
			Door Size (x2)		-
	W	H	W	H	-
VSBDL30	29.5"	6.75"	17.5"	21.5"	-
VSBDL30	29.5"	6.75"	17.5"	21.5"	-

Item Code	Top Drawer Opening		Premier		Builder
			Bottom Drawer Opening		-
	W	H	W	H	-
VSBDL30	9"	9.5"	9"	8.75"	-
VSBDL30	9"	9.5"	9"	8.75"	-

Item Code	Premier		Builder
	Side Drawer Size (x2)		-
	W	H	-
VSBDL30	11.5"	10.5"	-
VSBDL30	11.5"	10.5"	-

PRODUCT SPECS VANITY CABINETS

Vanity Combo Cabinet 36"



Item Code	Outer Dimensions			False Drawer Opening		Door Opening	
	W	H	D	W	H	W	H
VSBDR36	36"	34.5"	21"	33"	5.75"	20"	19.75"
VSBDL36	36"	34.5"	21"	33"	5.75"	20"	19.75"

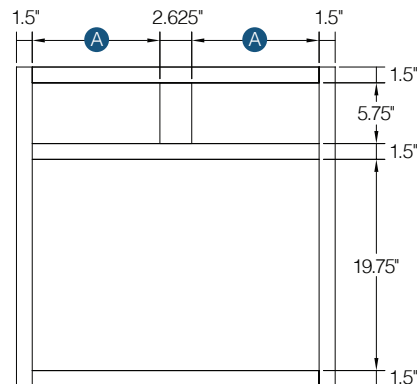
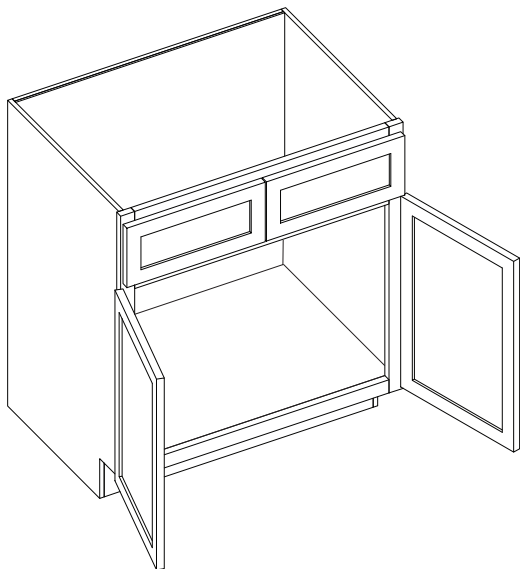
Item Code	False Drawer Front Size		Premier Door Size (x2)		Builder
	W	H	W	H	-
VSBDR36 / VSBDL36	35.5"	6.75"	11.6875"	21.5"	-

Item Code	Top Drawer Opening		Premier Bottom Drawer Opening		Builder
	W	H	W	H	-
VSBDR36 / VSBDL36	9"	9.5"	9"	8.75"	-

Item Code	Premier Side Drawer Size (x2)		Builder
	W	H	-
VSBDR36 / VSBDL36	11.5"	10.5"	-

PRODUCT SPECS VANITY CABINETS

Double Door Vanity



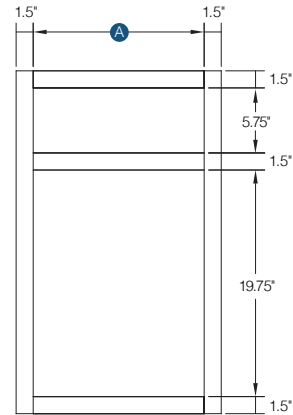
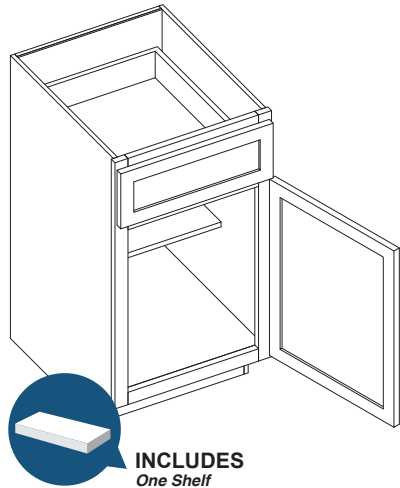
Item Code	Outer Dimensions			False Drawer Opening (x2)		Door Opening	
	W	H	D	A	H	W	H
V24-2*	24"	34.5"	21"	21"	5.75"	21"	19.75"
V27	27"	34.5"	21"	10.6875"	5.75"	24"	19.75"
V30	30"	34.5"	21"	12.1875"	5.75"	27"	19.75"
V33	33"	34.5"	21"	13.6875"	5.75"	30"	19.75"
V36	36"	34.5"	21"	15.1875"	5.75"	33"	19.75"

Item Code	Premier				Builder			
	False Drawer Front Size (x2)		Door Size (x2)		False Drawer Front Size (x2)		Door Size (x2)	
	W	H	W	H	W	H	W	H
V24-2*	23.5"	6.75"	11.6875"	21.5"	22"	6.7"	11"	20.7"
V27	13.1875"	6.75"	13.1875"	21.5"	12.5"	6.7"	12.5"	20.7"
V30	14.6875"	6.75"	14.6875"	21.5"	14"	6.7"	14"	20.7"
V33	16.1875"	6.75"	16.1875"	21.5"	15.5"	6.7"	15.5"	20.7"
V36	17.6875"	6.75"	17.6875"	21.5"	16.9"	6.7"	16.9"	20.7"

*Includes one false drawer and two doors. Drawer measurements provided are for single drawer.
 Napa White has a single drawer front on all widths up to 36"
 Builder has slab front drawer

PRODUCT SPECS VANITY CABINETS

Single Door Vanity Base



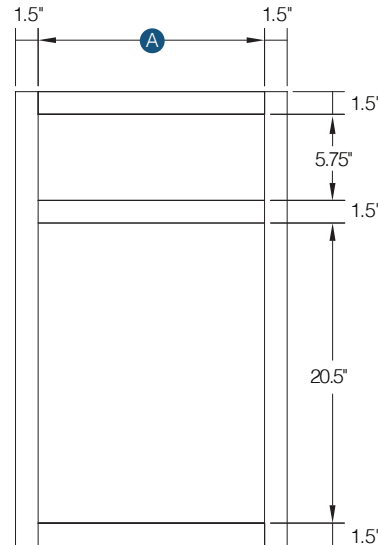
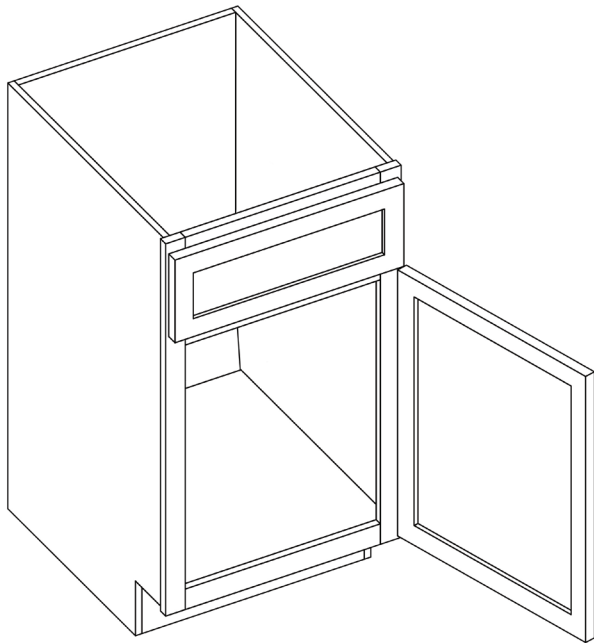
Item Code	Outer Dimensions			Drawer Opening		Door Opening	
	W	H	D	A	H	A	H
VB12	12"	34.5"	21"	9"	5.75"	9"	19.75"
VB15	15"	34.5"	21"	12"	5.75"	12"	19.75"
VB18	18"	34.5"	21"	15"	5.75"	15"	19.75"

Item Code	Drawer Front Size		Premier		Builder	
			Door Size		Door Size	
	W	H	W	H	W	H
VB12	11.5"	6.75"	11.5"	21.5"	-	-
VB15	14.5"	6.75"	14.5"	21.5"	13"	20.7"
VB18	17.5"	6.75"	17.5"	21.5"	16"	20.7"

Builder has slab front drawer

PRODUCT SPECS VANITY CABINETS

Single Door Vanity Cabinet

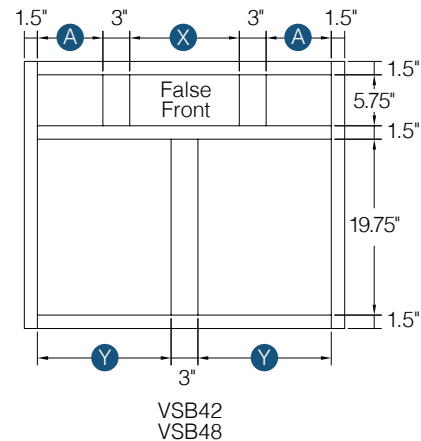
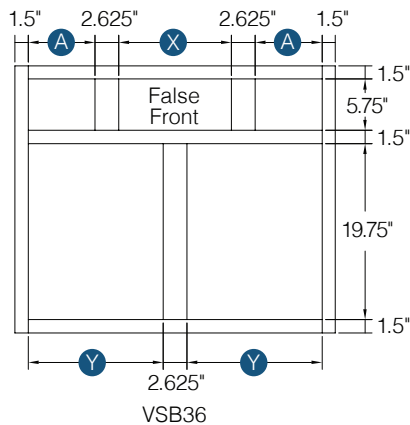
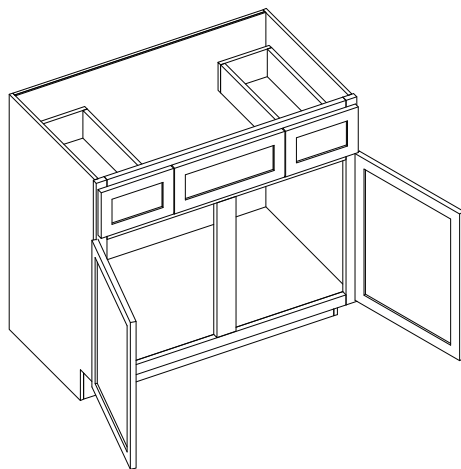


Item Code	Outer Dimensions			False Drawer Opening (x2)		Door Opening	
	W	H	D	A	H	W	H
V21	21"	34.5"	21"	18"	5.75"	18"	19.75"

Item Code	Premier				Builder
	False Drawer Front Size (x2)		Door Size (x2)		-
	A	H	W	H	-
V21	20.5"	6.75"	20.5"	21.5"	-

PRODUCT SPECS VANITY CABINETS

Vanity Sink Base



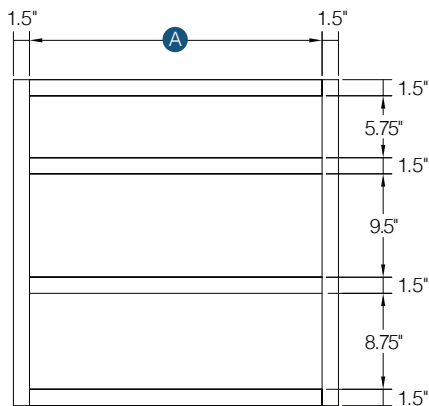
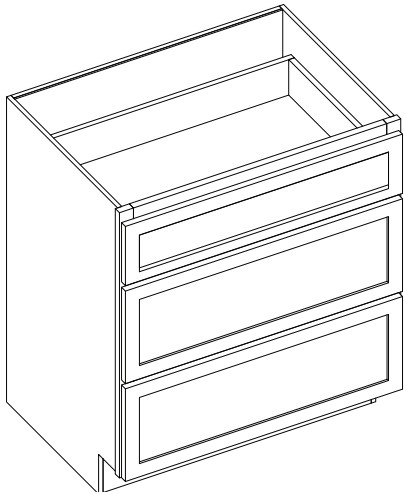
Item Code	Outer Dimensions			Drawer Opening (x2)		False Drawer Opening		Door Opening (x2)	
	W	H	D	A	H	X	H	Y	H
VSB36	36"	34.5"	21"	7.5"	5.75"	12.75"	5.75"	15.1875"	19.75"
VSB42	42"	34.5"	21"	9.25"	5.75"	14.5"	5.75"	18"	19.75"
VSB48	48"	34.5"	21"	9.25"	5.75"	20.5"	5.75"	21"	19.75"

Item Code	Premier						Builder					
	Drawer Front Size		False Drawer Front Size		Door Size		Drawer Front Size		False Drawer Front Size		Door Size	
	W	H	W	H	W	H	W	H	W	H	W	H
VSB36	10"	6.75"	15.25"	6.75"	17.6875"	21.5"	7"	6.7"	16"	6.7"	16"	20.7"
VSB42	11.75"	6.75"	17"	6.75"	20.5"	21.5"	10"	6.7"	16"	6.7"	19"	20.7"
VSB48	11.75"	6.75"	23"	6.75"	23.5"	21.5"	10"	6.7"	22"	6.7"	22"	20.7"

Builder has slab front drawer

PRODUCT SPECS VANITY CABINETS

Vanity Drawer Base



Item Code	Outer Dimensions			Top Opening		Premier		Builder	
						Top Drawer Front Size		Top Drawer Front Size	
	W	H	D	A	H	W	H	W	H
VDB12	12"	34.5"	21"	9"	4.875"	11.5"	5.875"	10"	6.7"
VDB15	15"	34.5"	21"	12"	4.875"	14.5"	5.875"	13"	6.7"
VDB18	18"	34.5"	21"	15"	4.875"	17.5"	5.875"	16"	6.7"
VDB21	-	-	-	-	-	-	-	19"	6.7"
VDB24	24"	34.5"	21"	21"	4.875"	23.5"	5.875"	22"	6.7"

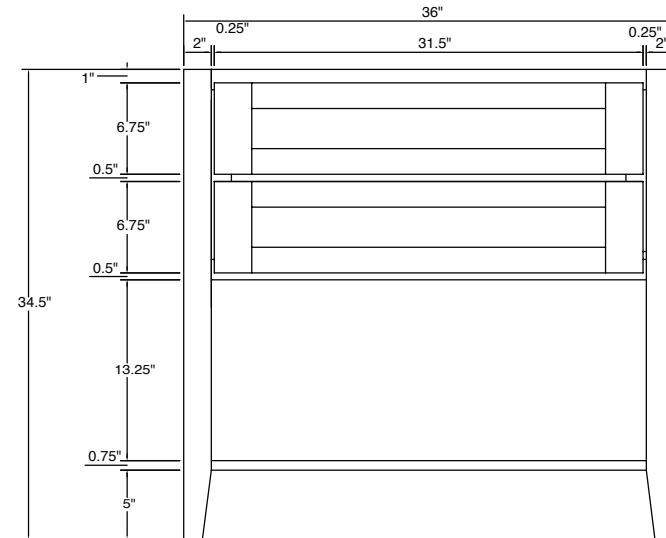
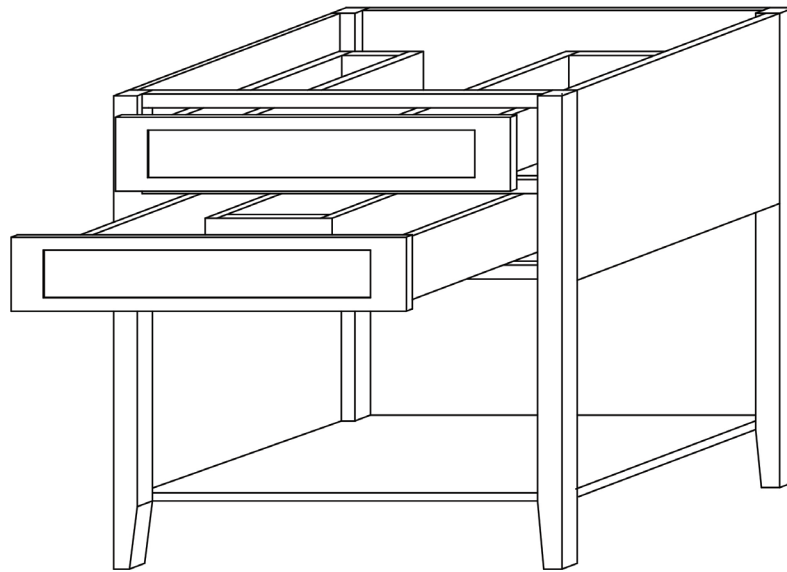
Item Code	Middle Opening		Premier		Builder	
			Middle Drawer Front Size		Middle Drawer Front Size	
	A	H	W	H	W	H
VDB12	9"	9.875"	11.5"	10.8125"	10"	10.1"
VDB15	12"	9.875"	14.5"	10.8125"	13"	10.1"
VDB18	15"	9.875"	17.5"	10.8125"	16"	10.1"
VDB21	-	-	-	-	19"	10.1"
VDB24	21"	9.875"	23.5"	10.8125"	22"	10.1"

Item Code	Bottom Opening		Premier		Builder	
			Bottom Drawer Front Size		Bottom Drawer Front Size	
	A	H	W	H	W	H
VDB12	9"	9.125"	11.5"	10.825"	10"	10.1"
VDB15	12"	9.125"	14.5"	10.825"	13"	10.1"
VDB18	15"	9.125"	17.5"	10.825"	16"	10.1"
VDB21	-	-	-	-	19"	10.1"
VDB24	21"	9.125"	23.5"	10.825"	22"	10.1"

Builder has slab front drawer

PRODUCT SPECS VANITY CABINETS

36" Open Shelf Vanity Sink Base

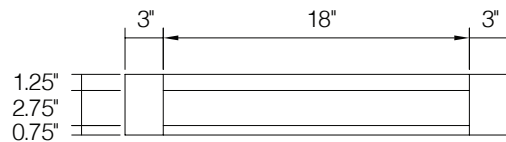
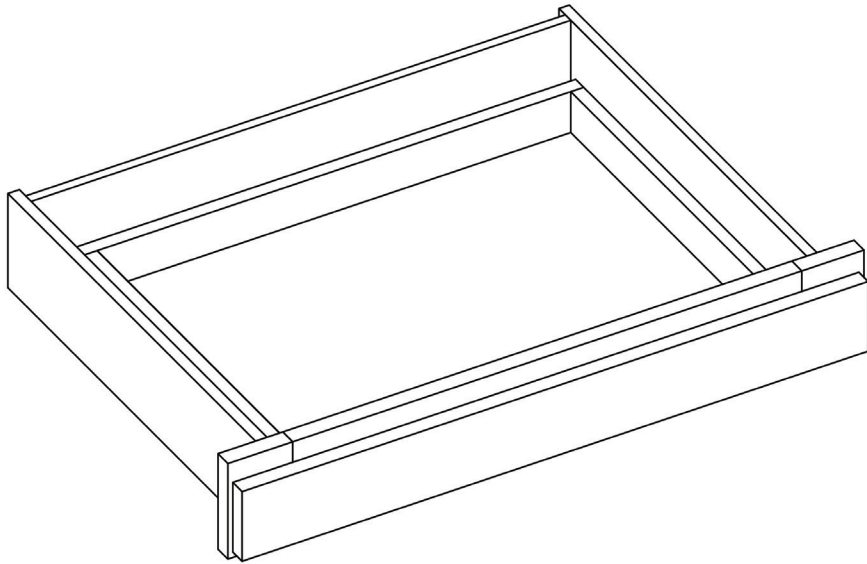


Item Code	Outer Dimensions			Top Opening		Premier		Builder
						Top Drawer Size		-
	W	H	D	W	B	W	H	-
VSBOS36	36"	34.5"	21"	29"	5.75"	31.5"	6.75"	-

Both drawers U-shaped to accommodate plumbing
Includes adjustable chrome feet
Sides and back 3/4" plywood construction

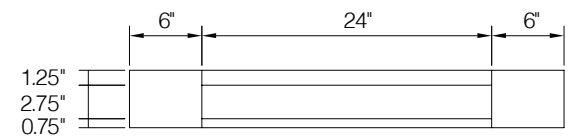
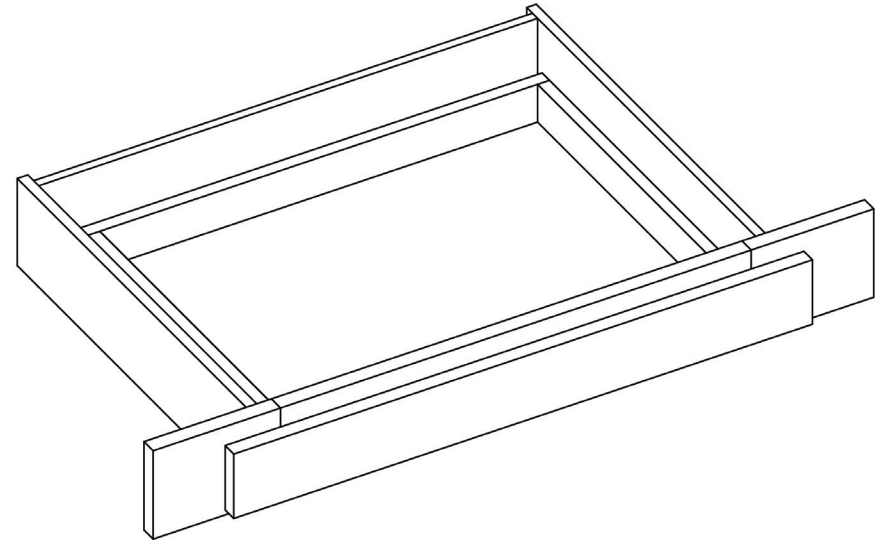
PRODUCT SPECS VANITY CABINETS

Vanity Drawer 24"



Item Code	Outer Dimensions			Opening Size		Premier Drawer Size		B
	W	H	D	W	B	W	H	-
	KD24	24"	4.75"	21"	18"	2.75"	23.5"	3.5"

Vanity Drawer 36"



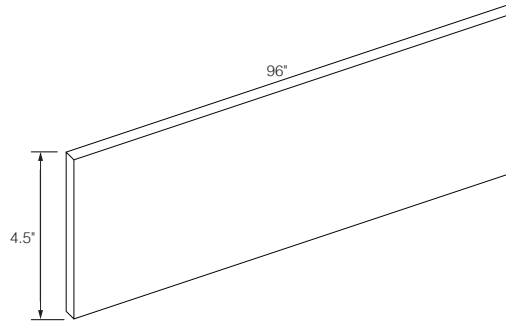
Item Code	Outer Dimensions			Opening Size		Premier Drawer Size		B
	W	H	D	W	B	W	H	-
	KD36	36"	4.75"	21"	24"	2.75"	29.5"	3.5"

Wings on KD36 can be trimmed down to fit a 30" opening

PRODUCT SPECS MOLDING & TRIM

Toe Kick

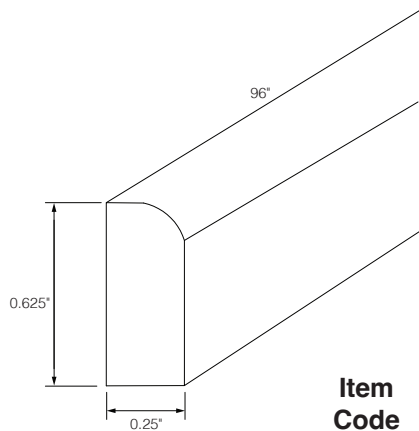
P B



Item Code	Outer Dimensions		
	W	H	D
TKS8	96"	4.5"	0.25"

Scribe

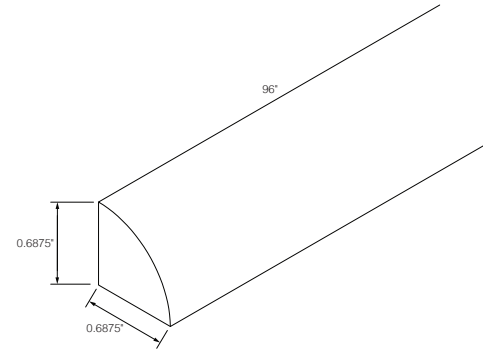
P B



Item Code	Outer Dimensions		
	W	H	D
SCRIBE	96"	0.625"	0.25"

Shoe Molding

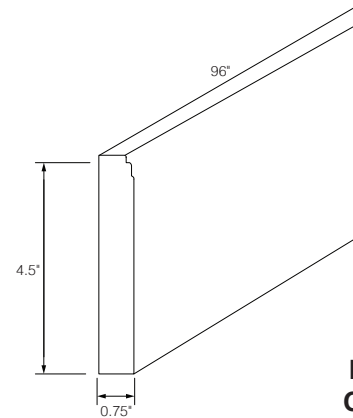
P B



Item Code	Outer Dimensions		
	W	H	D
SHOE	96"	0.6875"	0.6875"

Furniture Base Molding

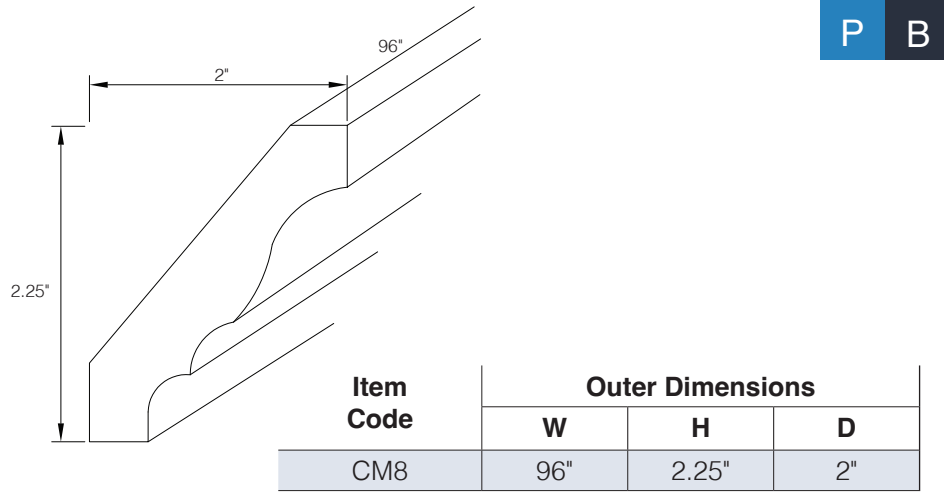
P B



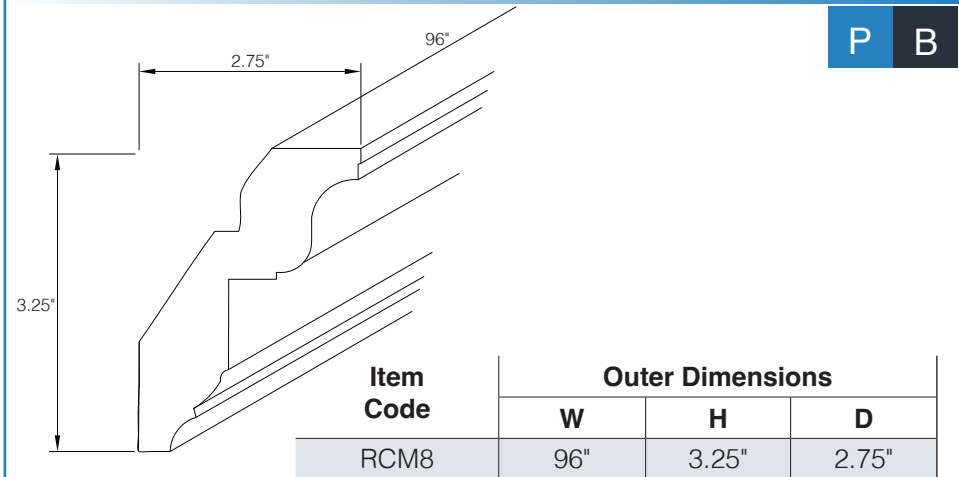
Item Code	Outer Dimensions		
	W	H	D
FBM8	96"	4.5"	0.75"

PRODUCT SPECS MOLDING & TRIM

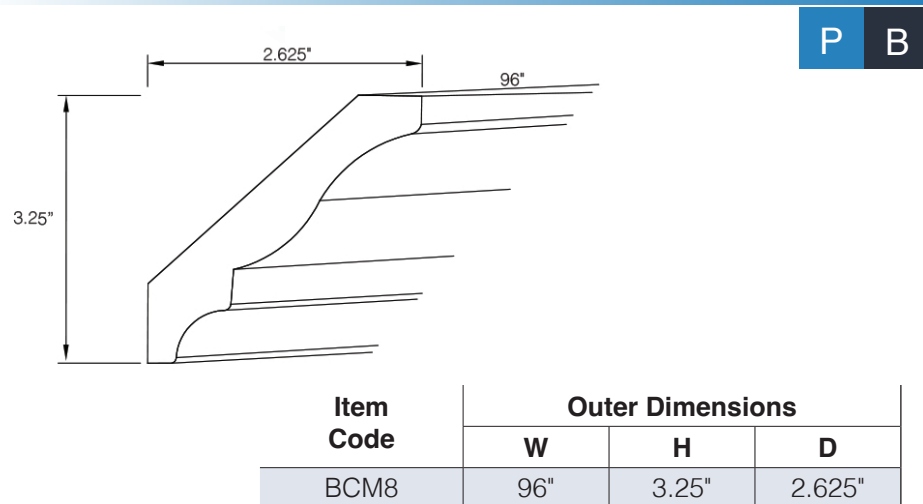
Traditional Crown Molding



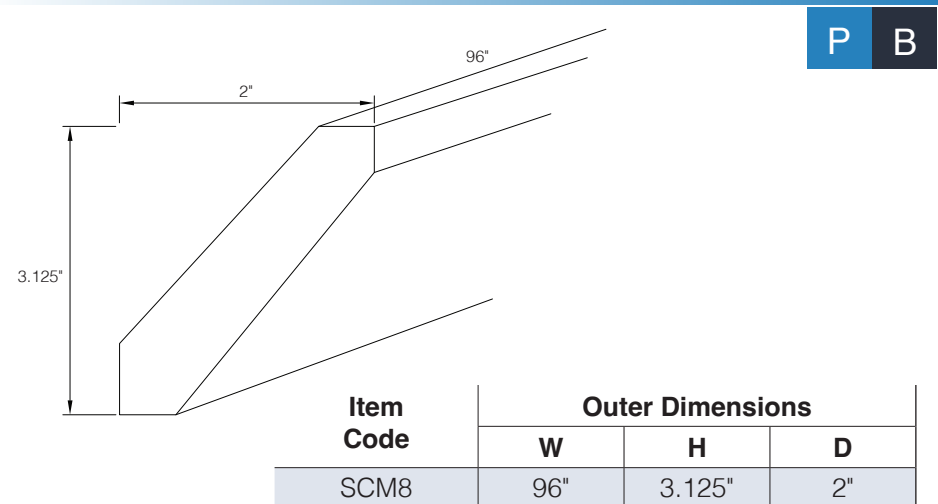
Royal Crown Molding



Large Crown Molding



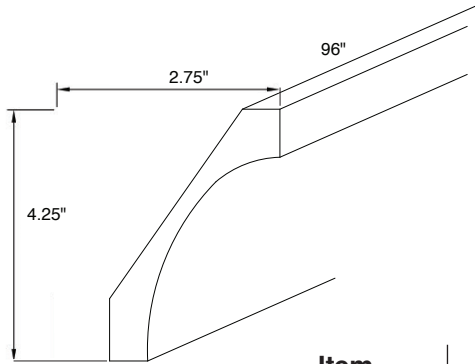
Shaker Crown Molding



PRODUCT SPECS MOLDING & TRIM

Cove Crown Molding

P B

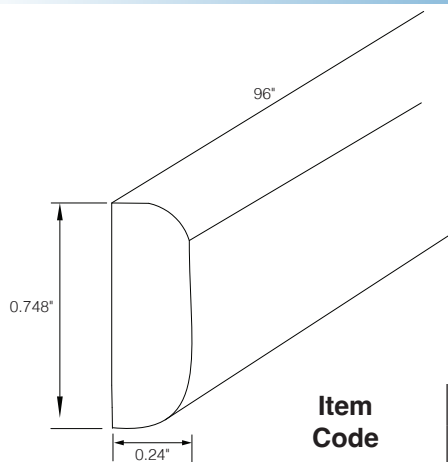


Item Code	Outer Dimensions		
	W	H	D
COM8	96"	4.25"	2.75"

*Molding width is 5.25"

Batton Molding

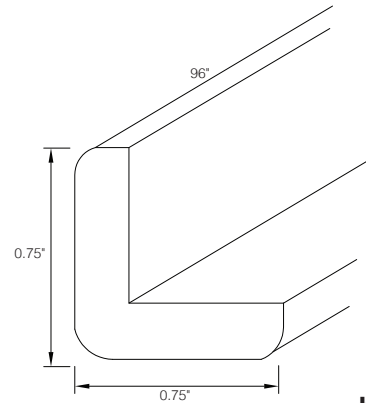
P B



Item Code	Outer Dimensions		
	W	H	D
BAM8	96"	0.748"	0.24"

Outside Corner Molding

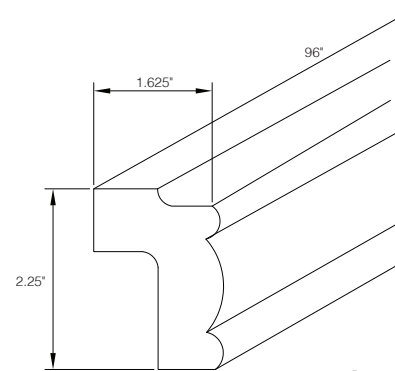
P B



Item Code	Outer Dimensions		
	W	H	D
OCM8	96"	0.75"	0.75"

Traditional Light Rail Molding

P B

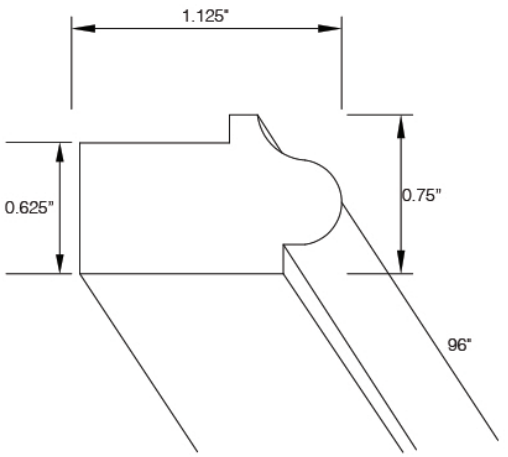


Item Code	Outer Dimensions		
	W	H	D
LRM8	96"	2.25"	1.625"

PRODUCT SPECS MOLDING & TRIM

Bottom Edge Molding

P B

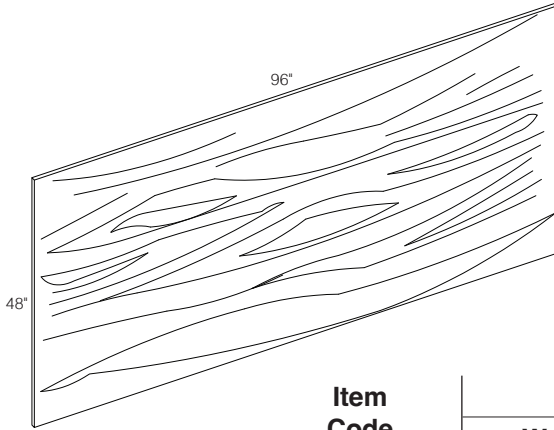


Item Code	Outer Dimensions		
	W	H	D
BEM8	96"	0.75"	1.125"

PRODUCT SPECS FILLERS & PANELS

Back Panel - Long Grain

P B

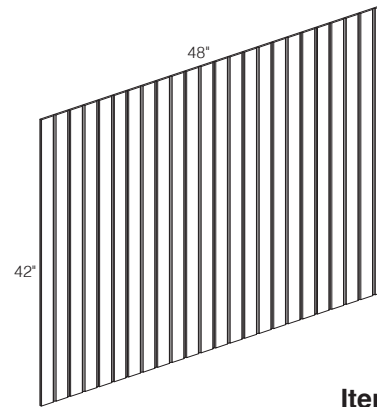


Item Code	Outer Dimensions		
	W	H	D
BPLG4896	96"	48"	0.25"

Finished on one side and UV natural finish on other side

Bead Board

P B

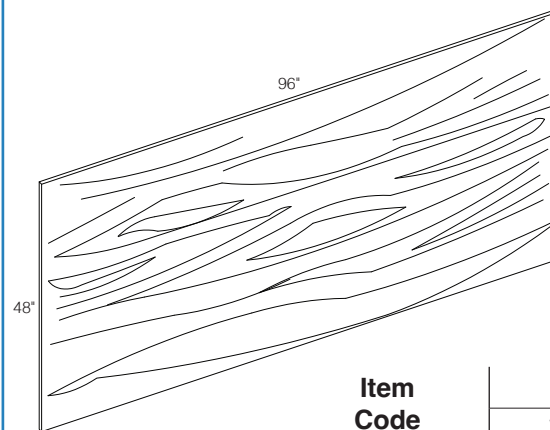


Item Code	Outer Dimensions		
	W	H	D
BBP4842	48"	42"	0.25"

Finished on one side and raw natural wood on other side

1/2" Thick Finished Plywood Filler

P B



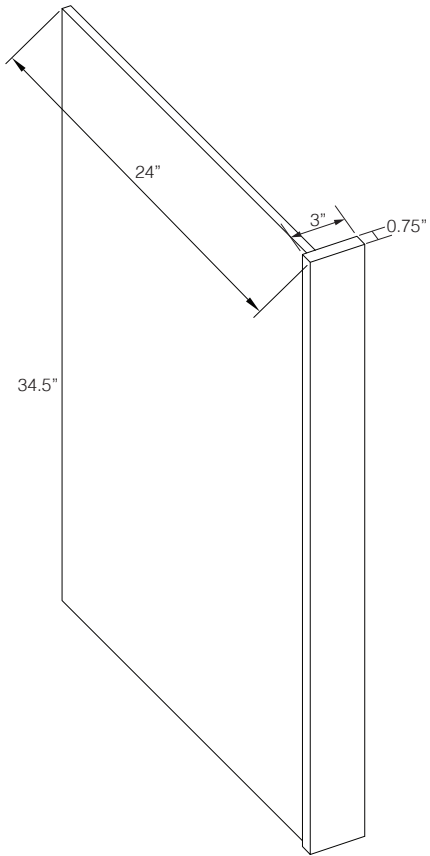
Item Code	Outer Dimensions		
	W	H	D
PSP4896	96"	48"	0.5"

Finished on one side and clear coat on the other side

PRODUCT SPECS FILLERS & PANELS

Dishwasher End Panel

P B

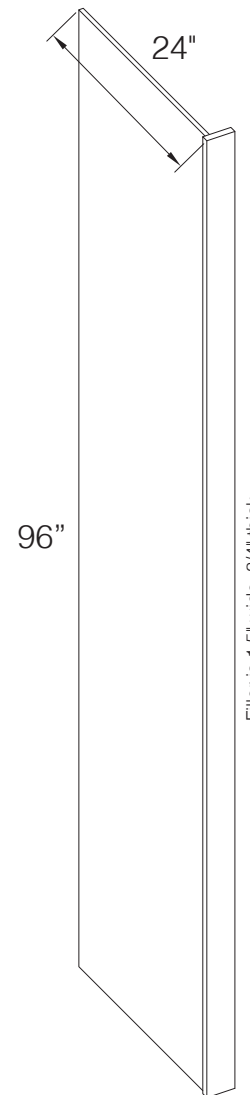


Item Code	Outer Dimensions		
	W	H	D
DWR3	3"	34.5"	24"

Filler can be trimmed down to 1"
 1/2" panel thickness
 Finished one side, natural UV back
 Ships unassembled

Tall End Panel (Refrigerator Panel)

P B



Filler is 1.5" wide, 3/4" thick

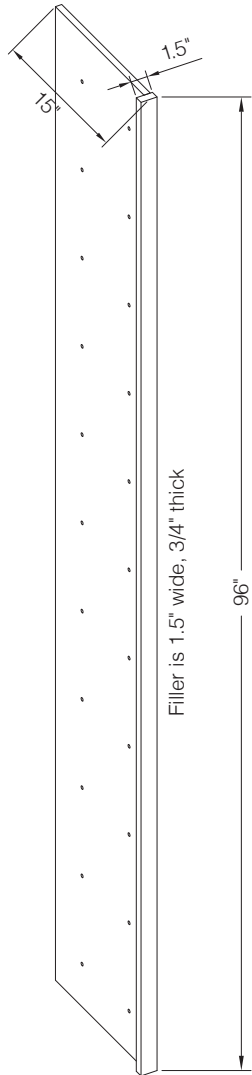
Item Code	Outer Dimensions		
	W	H	D
TEP3096	1.5"	96"	24"

1/2" panel thickness
 Finished one side, natural UV back
 Ships unassembled

PRODUCT SPECS FILLERS & PANELS

Bookcase End

P B

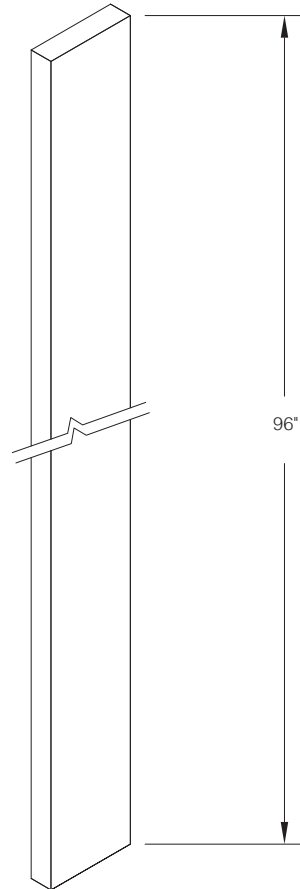


Item Code	Outer Dimensions		
	W	H	D
BCE1596	1.5"	96"	15"

Does not include shelf or shelf clips.
1/2" panel thickness
Finished on both sides

Filler

P B



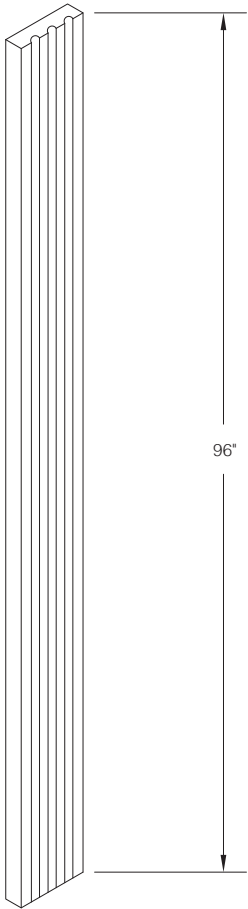
Item Code	Outer Dimensions		
	A	H	D
F396	3"	96"	0.75"
F696	6"	96"	0.75"

All four edges finished

PRODUCT SPECS FILLERS & PANELS

Fluted Filler

P B



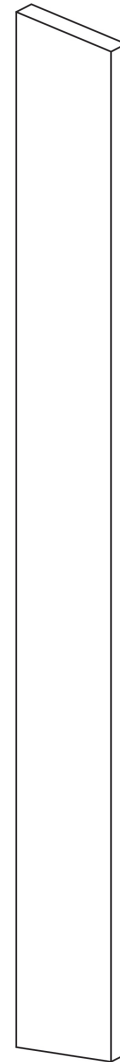
96"

Item Code	Outer Dimensions		
	W	H	D
FF396	3"	96"	0.75"

All four edges finished

Overlay Filler

P B



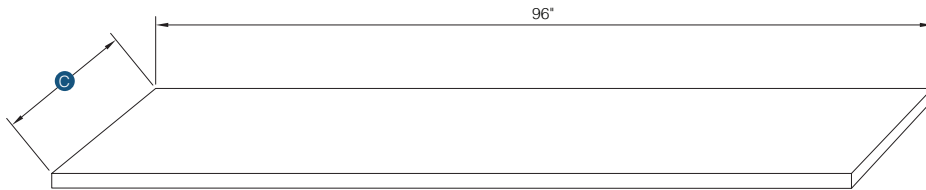
Item Code	Outer Dimensions		
	W	H	D
OLF330	2.5"	28.75"	0.75"
OLF336	2.5"	34.75"	0.75"
OLF342	2.5"	40.75"	0.75"
OLF630	5.5"	28.75"	0.75"

All four edges finished

PRODUCT SPECS ATTACHMENTS & INSERTS

Shelf

P B



Item Code	Outer Dimensions		
	W	H	C
SHELF1296	96"	0.625"	12"
SHELF2496	96"	0.625"	24"

Shelf1296 available in natural or painted/stained finish

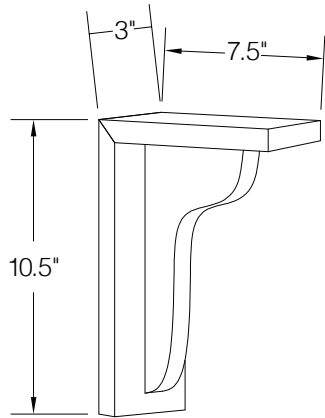
Shelf2496 available in natural only

3/4" plywood construction

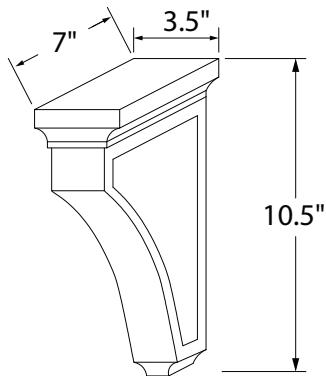
PRODUCT SPECS DECORATIVE ACCESSORIES

Corbels

P B



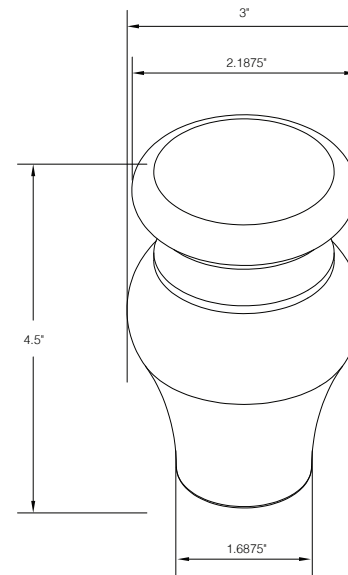
Item Code	Outer Dimensions		
	W	H	D
CORSM	3"	10.5"	7.5"



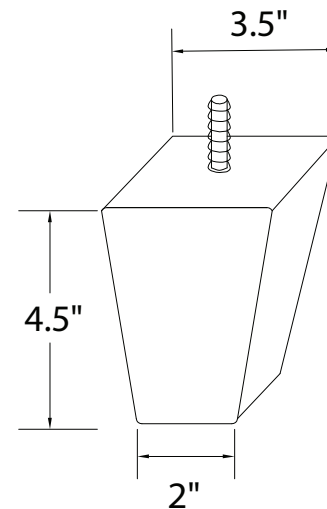
Item Code	Outer Dimensions		
	W	H	D
CORT	3.5"	10.5"	7"

Bunfeet

P B



Item Code	Outer Dimensions		
	W	H	D
TBUNFOOT	3"	4.5"	3"

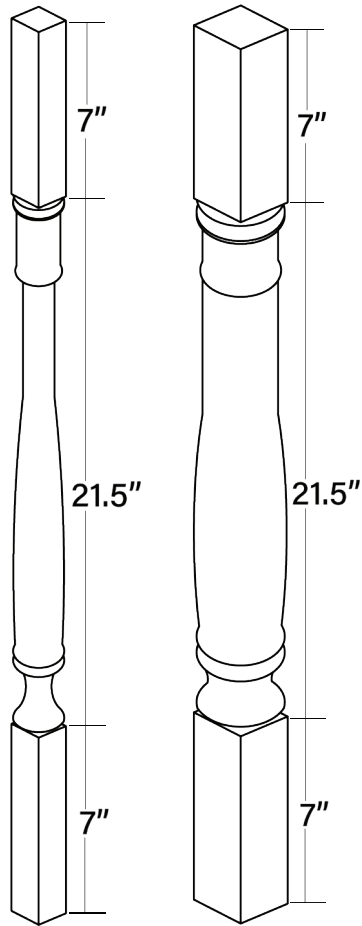


Item Code	Outer Dimensions		
	W	Top	Bottom
TBUNFOOT2	4.5"	3.5"	2"

PRODUCT SPECS DECORATIVE ACCESSORIES

Turned Post

P B

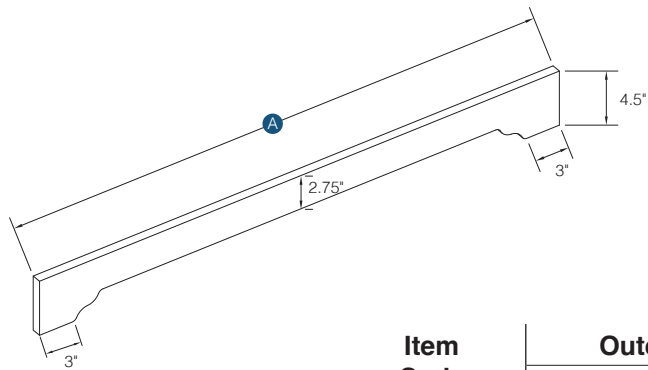


Item Code	Outer Dimensions		
	W	H	D
TPOSTP3	3"	35.5"	3"
TPOSTP5	5"	35.5"	5"

Top and bottom can be trimmed.

PRODUCT SPECS DECORATIVE ACCESSORIES

Furniture Valance

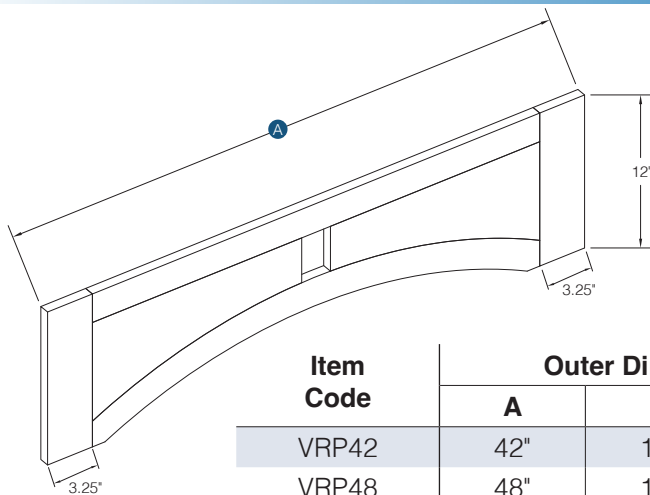


P

Item Code	Outer Dimensions		
	A	H	D
VFURN37	37"	4.5"	0.75"

Can be trimmed up to 3" off each side

Raised Panel Valance

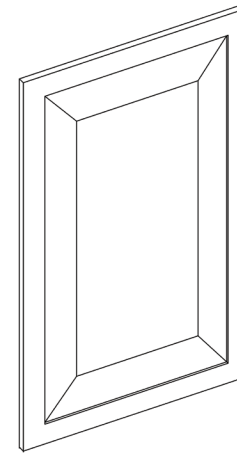


P

B

Item Code	Outer Dimensions		
	A	H	D
VRP42	42"	12"	0.75"
VRP48	48"	12"	0.75"

Decorative Base/Wall Panel

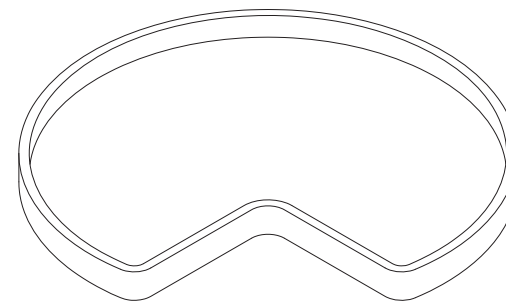


P

Item Code	Door Size		
	W	H	D
DWP1215	11.5"	13.75"	0.75"
DWP2415	23.5"	13.75"	0.75"
DWP1230	11.5"	28.75"	0.75"
DWP2430	23.5"	28.75"	0.75"
DWP1236	11.5"	34.75"	0.75"
DWP1242	11.5"	40.75"	0.75"

Panel matches door profile

Lazy Susan Kit



P

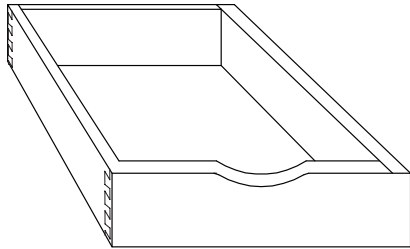
B

Item Code	Outer Dimensions		
	W	H	D
YN-LSK	29"	1.5"	29"

Designed to fit ER33 or ER36
Two wooden trays per set

PRODUCT SPECS ATTACHMENTS & INSERTS

Roll Out Tray



P B

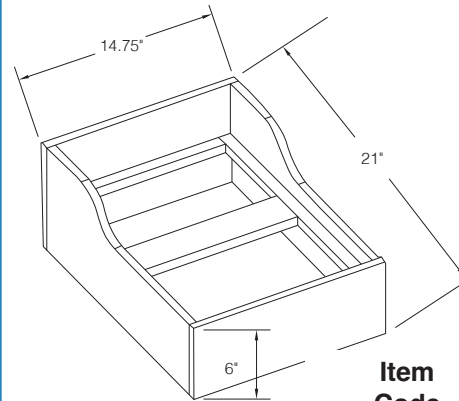
Item Code	Size		
	W	H	D
YN-ROT15-SC	10.125"	4"	21"
YN-ROT18-SC	13.125"	4"	21"
YN-ROT21-SC	16.125"	4"	21"
YN-ROT24-SC	19.125"	4"	21"
YN-ROT27-SC	22.125"	4"	21"
YN-ROT30-SC	25.125"	4"	21"
YN-ROT33-SC	28.125"	4"	21"
YN-ROT36-SC	31.125"	4"	21"

Includes two trays & four tracks

Roll Out Tray Usage Guide

Item Code	Designed to Fit
YN-ROT15-SC	B15
YN-ROT18-SC	B18, P1884, P1890, P1896
YN-ROT21-SC	B21
YN-ROT24-SC	B24, P2484, P2490, P2496
YN-ROT27-SC	B27
YN-ROT30-SC	B30, SB30, P3090, P3096
YN-ROT33-SC	B33, SB33
YN-ROT36-SC	B36, SB36

Trash Can Insert for B18

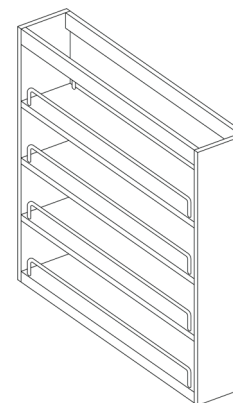


P B

Item Code	Outer Dimensions		
	W	H	D
YN-TCCK	14.625"	4.125"	19.75"

Includes two 35 QT cans
Dovetail, solid wood construction
Undermount, full extension, soft-close slides

Spice Rack Insert



P B

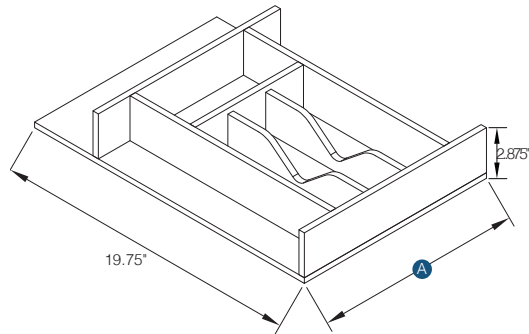
Item Code	Outer Dimensions		
	W	H	D
YN-SRI9-SC	5.75"	24"	20.5"

Slides included, designed to fit B09, measurements include slides

PRODUCT SPECS ATTACHMENTS & INSERTS

Cutlery Drawer Insert

P B

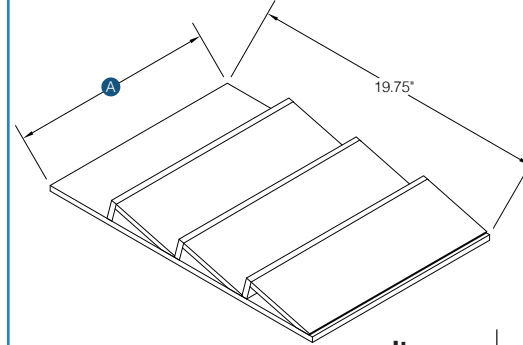


Item Code	Size		
	A	H	D
YN-CDI14	13.375"	2.875"	19.75"
YN-CDI20	19.75"	2.875"	19.75"

CDI14 designed to fit B18 drawer. Can be trimmed to fit B15
 CDI20 designed to fit B24 drawer. Can be trimmed to fit B21

Spice Rack Tray Insert

P B

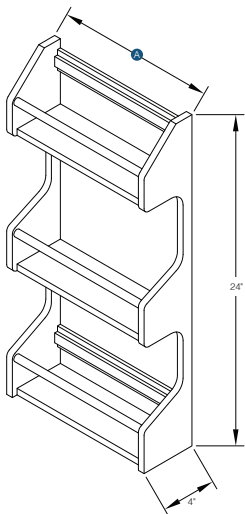


Item Code	Outer Dimensions		
	A	H	D
YN-STI14	13.375"	1.09375"	19.75"
YN-STI20	19.75"	1.09375"	19.75"

STI14 designed to fit B18 drawer. Can be trimmed to fit B15
 STI20 designed to fit B24 drawer. Can be trimmed to fit B21

Spice Rack Door Attachment

P B

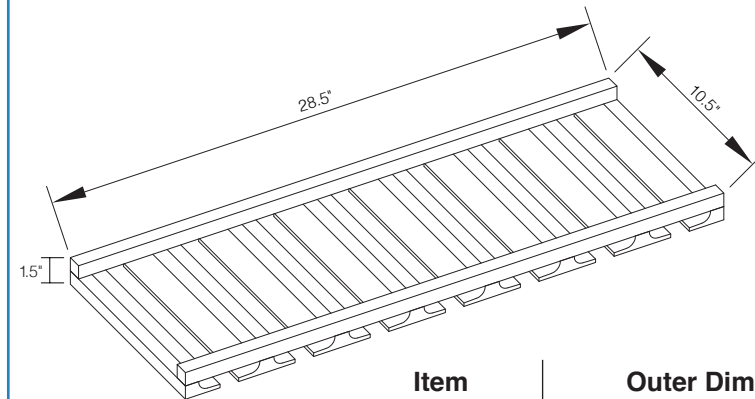


Item Code	Size		
	A	H	D
YN-SRD12	11.5"	24"	4"
YN-SRD15	14.5"	24"	4"

SRD12 designed to attach to 17.5" door. e.g. (W1830 or W3630)
 SRD15 designed to attach to 20.5" door. e.g. (W2130 or W4230)

Stemware Rack

P



Item Code	Outer Dimensions		
	W	H	D
SWR3012	28.5"	1.5"	10.5"

Designed to fit under wine rack

PRODUCTS BY CABINET SERIES

Item Code	Item Description	Shaker	Brooklyn	Napa	Essentials
		Premier			Builder
Wall Cabinets					
W3012	Double Door Wall Cabinet - 30" W x 12" H	●	●	●	●
W3312	Double Door Wall Cabinet - 33" W x 12" H	●	●	-	-
W3612	Double Door Wall Cabinet - 36" W x 12" H	●	●	●	●
CWS2415	15" Corner Wall Stacking Cabinets	●	●	●	-
CWS2715	15" Corner Wall Stacking Cabinets	●	●	●	-
W3015	Double Door Wall Cabinet - 30" W x 15" H	●	●	●	-
W3315	Double Door Wall Cabinet - 33" W x 15" H	●	●	●	-
W3615	Double Door Wall Cabinet - 36" W x 15" H	●	●	●	-
WS1215	15" Wall Stacking Cabinets with Glass	●	●	●	-
WS1515	15" Wall Stacking Cabinets with Glass	●	●	●	-
WS1815	15" Wall Stacking Cabinets with Glass	●	●	●	-
WS2115	15" Wall Stacking Cabinets with Glass	●	●	●	-
WS2415-2	15" Wall Stacking Cabinets with Glass	●	●	●	-
WS2715-2	15" Wall Stacking Cabinets with Glass	●	●	●	-
WS3015-2	15" Wall Stacking Cabinets with Glass	●	●	●	-
WS3315-2	15" Wall Stacking Cabinets with Glass	●	●	●	●
WS3615-2	15" Wall Stacking Cabinets with Glass	●	●	●	-
W3018	Double Door Wall Cabinet - 30" W x 18" H	●	●	●	●
W3318	Double Door Wall Cabinet - 33" W x 18" H	●	●	●	-
W3618	Double Door Wall Cabinet - 36" W x 18" H	●	●	●	●
W3021	Double Door Wall Cabinet - 30" W x 21" H	●	●	●	-
W3024	Double Door Wall Cabinet - 30" W x 24" H	●	●	●	●
W3324	Double Door Wall Cabinet - 33" W x 24" H	●	●	●	-
W3624	Double Door Wall Cabinet - 36" W x 24" H	●	●	●	●
W331824	Deep Wall Cabinet - 33" W x 18" H x 24" D	●	●	●	-
W361824	Deep Wall Cabinet - 36" W x 18" H x 24" D	●	●	●	●
W332424	Deep Wall Cabinet - 33" W x 24" H x 24" D	●	●	●	-
W362424	Deep Wall Cabinet - 36" W x 24" H x 24" D	●	●	●	●
W930	Single Door Wall Cabinet - 9" W x 30" H	●	●	●	●
W1230	Single Door Wall Cabinet - 12" W x 30" H	●	●	●	●
W1530	Single Door Wall Cabinet - 15" W x 30" H	●	●	●	●
W1830	Single Door Wall Cabinet - 18" W x 30" H	●	●	●	●
W2130	Single Door Wall Cabinet - 21" W x 30" H	●	●	●	●

PRODUCTS BY CABINET SERIES

Item Code	Item Description	Shaker	Brooklyn	Napa	Essentials
		Premier			Builder
Wall Cabinets					
W2430-2	Double Door Wall Cabinet - 24" W x 30" H	●	●	●	●
W2730	Double Door Wall Cabinet - 27" W x 30" H	●	●	●	●
W3030	Double Door Wall Cabinet - 30" W x 30" H	●	●	●	●
W3330	Double Door Wall Cabinet - 33" W x 30" H	●	●	●	●
W3630	Double Door Wall Cabinet - 36" W x 30" H	●	●	●	●
W3930	Double Door Wall Cabinet - 39" W x 30" H	●	●	●	●
W4230	Double Door Wall Cabinet - 42" W x 30" H	●	●	●	●
BW2430	Blind Wall Cabinet - 24" W x 30" H	●	●	●	-
BW3030	Blind Wall Cabinet - 30" W x 30" H	●	●	●	●
BW3630	Blind Wall Cabinet - 36" W x 30" H	●	●	●	●
CW2430	Corner Wall Cabinet - 24" W x 30" H	●	●	●	●
W936	Single Door Wall Cabinet - 9" W x 36" H	●	●	●	●
W1236	Single Door Wall Cabinet - 12" W x 36" H	●	●	●	●
W1536	Single Door Wall Cabinet - 15" W x 36" H	●	●	●	●
W1836	Single Door Wall Cabinet - 18" W x 36" H	●	●	●	●
W2136	Single Door Wall Cabinet - 21" W x 36" H	●	●	●	●
W2436-2	Double Door Wall Cabinet - 24" W x 36" H	●	●	●	●
W2736	Double Door Wall Cabinet - 27" W x 36" H	●	●	●	●
W3036	Double Door Wall Cabinet - 30" W x 36" H	●	●	●	●
W3336	Double Door Wall Cabinet - 33" W x 36" H	●	●	●	●
W3636	Double Door Wall Cabinet - 36" W x 36" H	●	●	●	●
W3936	Double Door Wall Cabinet - 39" W x 36" H	●	●	●	●
W4236	Double Door Wall Cabinet - 42" W x 36" H	●	●	●	●
BW2436	Blind Wall Cabinet - 24" W x 36" H	●	●	●	-
BW3036	Blind Wall Cabinet - 30" W x 36" H	●	●	●	-
BW3636	Blind Wall Cabinet - 36" W x 36" H	●	●	●	●
CW2436	Corner Wall Cabinet - 24" W x 36" H	●	●	●	●
CW2736	Corner Wall Cabinet - 27" W x 36" H	●	●	●	●
W942	Single Door Wall Cabinet - 9" W x 42" H	●	●	●	●
W1242	Single Door Wall Cabinet - 12" W x 42" H	●	●	●	●
W1542	Single Door Wall Cabinet - 15" W x 42" H	●	●	●	●
W1842	Single Door Wall Cabinet - 18" W x 42" H	●	●	●	●
W2142	Single Door Wall Cabinet - 21" W x 42" H	●	●	●	●

*All Shaker Designer White drawers are available with either a slab drawer front or 5-Piece drawer front. All 5-Piece SKUs are notated with '5PC' on the Order Form & Dealer Portal

PRODUCTS BY CABINET SERIES

Item Code	Item Description	Shaker	Brooklyn	Napa	Essentials
		Premier			Builder
Wall Cabinets					
W2442-2	Double Door Wall Cabinet - 24" W x 42" H	●	●	●	●
W2742	Double Door Wall Cabinet - 27" W x 42" H	●	●	●	●
W3042	Double Door Wall Cabinet - 30" W x 42" H	●	●	●	●
W3342	Double Door Wall Cabinet - 33" W x 42" H	●	●	●	●
W3642	Double Door Wall Cabinet - 36" W x 42" H	●	●	●	●
W3942	Double Door Wall Cabinet - 39" W x 42" H	●	●	●	●
W4242	Double Door Wall Cabinet - 42" W x 42" H	●	●	●	●
BW3042	Blind Wall Cabinet - 30" W x 42" H	●	●	●	-
BW3642	Blind Wall Cabinet - 36" W x 42" H	●	●	●	●
CW2442	Corner Wall Cabinet - 24" W x 42" H	●	●	●	●
CW2742	Corner Wall Cabinet - 27" W x 42" H	●	●	●	●
DWR1548	Wall Twr w/ 3 Drws - 15" W x 48" H x 15" D	●+	●	●	-
DWR1554	Wall Twr w/ 3 Drws - 15" W x 54" H x 15" D	●+	●	●	-
DWR1560	Wall Twr w/ 3 Drws - 15" W x 60" H x 15" D	●+	●	●	-
MWC3018	Microwave Wall Cabinet - 30" W x 18" H x 12" D	●	●	●	-
WR3018	Wine Rack - 30" W x 18" H x 12" D	●	●	●	●
Base Cabinets					
B09	Single Door Full Height Base Cabinet - 9" W	●	●	●	●
B12	Single Door Standard Base Cabinet - 12" W	●+	●	●	●
B15	Single Door Standard Base Cabinet - 15" W	●+	●	●	●
B18	Single Door Standard Base Cabinet - 18" W	●+	●	●	●
B21	Single Door Standard Base Cabinet - 21" W	●+	●	●	●
B24-2	Double Door Standard Base Cabinet - 24" W	●+	●	●	●
B27	Double Door Standard Base Cabinet - 27" W	●+	●	●	●
B30	Double Door Standard Base Cabinet - 30" W	●+	●	●	●
B33	Double Door Standard Base Cabinet - 33" W	●+	●	●	●
B36	Double Door Standard Base Cabinet - 36" W	●+	●	●	●
B39	Double Door Standard Base Cabinet - 39" W	●+	●	●	●
B42	Double Door Standard Base Cabinet - 42" W	●+	●	●	●
DB12-3	Drawer Base Cabinet - 12" W	●+	●	●	●
DB15-3	Drawer Base Cabinet - 15" W	●+	●	●	●
DB18-3	Drawer Base Cabinet - 18" W	●+	●	●	●
DB21-3	Drawer Base Cabinet - 21" W	●+	●	●	●

*All Shaker Designer White drawers are available with either a slab drawer front or 5-Piece drawer front. All 5-Piece SKUs are notated with '5PC' on the Order Form & Dealer Portal

PRODUCTS BY CABINET SERIES

Item Code	Item Description	Shaker	Brooklyn	Napa	Essentials
		Premier			Builder
Base Cabinets					
DB24-3	Drawer Base Cabinet - 24" W	●+	●	●	●
DB27-3	Drawer Base Cabinet - 27" W	●+	●	-	-
DB30-3	Drawer Base Cabinet - 30" W	●+	●	●	●
DB33-3	Drawer Base Cabinet - 33" W	●+	●	-	-
DB36-3	Drawer Base Cabinet - 36" W	●+	●	●	-
DB30-2	2 Drawer Base Cabinet - 30" W	●+	●	●	-
DB36-2	2 Drawer Base Cabinet - 36" W	●+	●	-	-
CC30	Cooking Center Base Cabinet - 30" W	●+	●	●	-
FSB36	Farm Sink Base Cabinet - 36" W	●+	●	●	-
TRB-1	Trash Can Base w/ Full Ht Door -18" W	●+	●	●	-
TRB-2	Trash Can Base w/ Full Ht Door -18" W	●+	●	●	-
SB30	Sink Base Cabinet - 30" W	●+	●	●	●
SB33	Sink Base Cabinet - 33" W	●+	●	●	●
SB36	Sink Base Cabinet - 36" W	●+	●	●	●
SB42	Sink Base Cabinet w/ CS - 42" W	●+	●	●	●
SB48	Sink Base Cabinet w/ CS - 48" W	●+	●	●	-
CSF42	Corner Sink Front for 42" Space - 27" W	●+	●	●	●
CSF-FLOOR	Natural Corner Sink Front Floor 48" x 48"	●	●	●	●
BB36	Blind Base Cabinet for 36" to 39" Space - 30"W	●	●	●	●
BB42	Blind Base Cabinet for 42" to 45" Space - 36" W	●+	●	●	●
BB48	Blind Base Cab for 48" to 51" Space - 48" W	●+	●	●	●
ER33	Easy Reach Base Cabinet - 33" W x 33" D	●	●	●	-
ER36	Easy Reach Base Cabinet - 36" W x 36" D	●	●	●	●
DDB18	Desk Drawer Base - 18" W x 29.5" H x 24" D	●+	●	●	-
MBC30	Microwave Base Cabinet - 30" W	●+	●	●	-

*All Shaker Designer White drawers are available with either a slab drawer front or 5-Piece drawer front. All 5-Piece SKUs are notated with '5PC' on the Order Form & Dealer Portal

PRODUCTS BY CABINET SERIES

Item Code	Item Description	Shaker	Brooklyn	Napa	Essentials
		Premier			Builder
Tall Cabinets					
P1884	Pantry - 18" W x 84" H	●	●	●	●
P1890	Pantry - 18" W x 90" H	●	●	●	●
P1896	Pantry - 18" W x 96" H	●	●	●	●
P2484	Pantry - 24" W x 84" H	●	●	●	-
P2490	Pantry - 24" W x 90" H	●	●	●	-
P2496	Pantry - 24" W x 96" H	●	●	●	-
P3090	Pantry - 30" W x 90" H	●	●	●	-
P3096	Pantry - 30" W x 96" H	●	●	●	-
OC3390	Oven Cabinet - 33" W x 90" H	●+	●	●	●
OC3396	Oven Cabinet - 33" W x 96" H	●+	●	●	●
OP3353	Oven Cabinet Overlay Panel - 33" W x 53" H	●	●	●	●
OCD337	Oven Cabinet Drawer	●+	●	●	●
Vanities					
V21	Single Door Vanity - 21" W	●+	●	-	-
V24-2	Double Door Vanity - 24" W	●+	●	●	●
V27	Double Door Vanity - 27" W	●+	●	●	●
V30	Double Door Vanity - 30" W	●+	●	●	●
V33	Double Door Vanity - 33" W	●+	●	●	●
V36	Double Door Vanity - 36" W	●+	●	●	●
VB12	Single Door Base Vanity - 12" W	●+	●	●	-
VB15	Single Door Base Vanity - 15" W	●+	●	●	●
VB18	Single Door Base Vanity - 18" W	●+	●	●	●
VDB12	Vanity Drawer Base - 12" W	●+	●	●	●
VDB15	Vanity Drawer Base - 15" W	●+	●	●	●
VDB18	Vanity Drawer Base - 18" W	●+	●	●	●
VDB21	Vanity Drawer Base - 21" W	-	-	-	●
VDB24	Vanity Drawer Base - 24" W	●+	●	●	●
VSB36	Vanity Sink Base - 36" W	●+	●	●	●
VSB42	Vanity Sink Base - 42" W	●+	●	●	●
VSB48	Vanity Sink Base - 48" W	●+	●	●	●
VSBD30	Vanity Sink Drawer Base Right - 30" W	●+	●	●	-
VSBDL30	Vanity Sink Drawer Base Left - 30" W	●+	●	●	-
VSBD36	Vanity Sink Drawer Base Right - 36" W	●+	●	●	-
VSBDL36	Vanity Sink Drawer Base Left - 36" W	●+	●	●	-

*All Shaker Designer White drawers are available with either a slab drawer front or 5-Piece drawer front. All 5-Piece SKUs are notated with '5PC' on the Order Form & Dealer Portal

PRODUCTS BY CABINET SERIES

Item Code	Item Description	Shaker	Brooklyn	Napa	Essentials
		Premier			Builder
Vanities					
KD24	Vanity Drawer - 24" W	●	●	●	-
KD36	Vanity Drawer - 36" W with Adjustable Sides	●	●	●	-
VSBOS36	Open Shelf Vanity SB - 36" W	●	●	●	-
Moldings and Trim					
TKS8	Toe Kick	●	●	●	●
SCRIBE	Scribe	●	●	●	●
SHOE	Shoe Molding	●	●	●	●
FBM8	Furniture Base Molding	●	●	●	●
CM8	Traditional Crown Molding	-	●	●	●
BCM8	Large Crown Molding	-	●	●	●
RCM8	Royal Crown Molding	●	●	●	●
SCM8	Shaker Crown Molding	●	-	-	●
COM8	Cove Crown Molding	●	●	●	●
BAM8	Batten Molding	●	●	●	●
OCM8	Outside Corner Molding	●	●	●	●
LRM8	Traditional Light Rail	●	●	●	●
BEM8	Bottom Edge Molding (Narrow Light Rail)	●	●	●	●
Fillers and Panels					
BPLG4896	Back Panel (Long Grain) - 48" W x 96" H	●	●	●	●
BBP4842	Bead Board - 48" W x 42" H x 0.25" D	●	●	●	●
PSP4896	1/2" Thick Finished Plywood Panel 96" W x 48" H	●	●	●	●
DWR3	Dishwasher End Panel 3" W x 34.5" H x 24" D	●	●	●	●
TEP3096	Tall End Panel 1.5" W x 96" H x 30" D	●	●	●	●
BCE1596	Book Case End - 1.5" W x 96" H x 15" D	●	●	●	●
F396	Filler - 3" W x 96" H	●	●	●	●
F696	Filler - 6" W x 96" H	●	●	●	●
OLF330	Overlay Filler - 3" W x 30" H	●	●	●	●
OLF336	Overlay Filler - 3" W x 36" H	●	●	●	●
OLF342	Overlay Filler - 3" W x 42" H	●	●	●	●
OLF630	Overlay Filler - 6" W x 30" H	●	●	●	●
FF396	Fluted Filler - 3" W x 96" H	-	●	●	●

PRODUCTS BY CABINET SERIES

Item Code	Item Description	Shaker	Brooklyn	Napa	Essentials
		Premier			Builder
Decorative Accessories					
CORSM	Basic Medium Corbel - 10.5" H	●	●	●	●
CORT	Transitional Corbel 3.5" W x 10.5" H x 7" D	●	●	●	●
TBUNFOOT	Traditional Bunfoot 3" W x 4.5" H x 3" D	●	●	●	●
TBUNFOOT2	Transitional Bunfoot 4.5" H x 3.5" T x 2" B	●	●	●	●
TPOSTP3	Turned Post - 3" W x 35.5" H	●	●	●	●
TPOSTP5	Turned Post - 5" W x 35.5" H	●	●	●	●
VFURN37	Furniture Valance - 37" W	●	●	●	-
VRP42	Raised Panel Valance - 42" W	-	●	●	-
VRP48	Raised Panel Valance - 48" W	-	●	●	-
DWP1215	Decorative Wall Panel - 12" W x 15" H	●	●	●	-
DWP1230	Decorative Wall Panel - 12" W x 30" H	●	●	●	-
DWP1236	Decorative Wall Panel - 12" W x 36" H	●	●	●	-
DWP1242	Decorative Wall Panel - 12" W x 42" H	●	●	●	-
DWP2415	Decorative Wall Panel - 24" W x 15" H	●	●	●	-
DWP2430	Decorative Wall Panel - 24" W x 30" H	●	●	●	-
Attachments and Inserts					
ROT15-SC	Natural Roll Out Tray for 15" Space (2/pkg)	●	●	●	●
ROT18-SC	Natural Roll Out Tray for 18" Space (2/pkg)	●	●	●	●
ROT21-SC	Natural Roll Out Tray for 21" Space (2/pkg)	●	●	●	●
ROT24-SC	Natural Roll Out Tray for 24" Space (2/pkg)	●	●	●	●
ROT27-SC	Natural Roll Out Tray for 27" Space (2/pkg)	●	●	●	●
ROT30-SC	Natural Roll Out Tray for 30" Space (2/pkg)	●	●	●	●
ROT33-SC	Natural Roll Out Tray for 33" Space (2/pkg)	●	●	●	●
ROT36-SC	Natural Roll Out Tray for 36" Space (2/pkg)	●	●	●	●
LSK	Natural Lazy Susan Kit (2/pkg)	●	●	●	●
TCKK	Trash Can Insert for B18 with 2 35 QT Trash Cans	●	●	●	●
SRI9	Natural Spice Rack Insert for B9 Drawer	●	●	●	●
CDI14	Natural Cutlery Drawer Insert for B15/B18	●	●	●	●
CDI20	Natural Cutlery Drawer Insert for B21/B24	●	●	●	●
SRD12	Natural Spice Rack Door Mount for 18" Door	●	●	●	●
SRD15	Natural Spice Rack Door Mount for 21" Door	●	●	●	●
STI14	Natural Spice Tray Drawer Insert for B15/B18	●	●	●	●
STI20	Natural Spice Tray Drawer Insert for B21/B24	●	●	●	●
SWR3012	Stemware Rack	●	●	●	-

PRODUCTS BY CABINET SERIES

Item Code	Item Description	Shaker	Brooklyn	Napa	Essentials
		Premier			Builder
Miscellaneous Parts					
SHELF1296	Painted/Stained Shelf - 96" W x 12" D	●	●	●	●
SHELF2496	Painted/Stained Shelf - 96" W x 24" D	●	●	●	●
YN-SHELF1296	Natural Shelf - 96" W x 12" D	●	●	●	●
YN-SHELF2496	Natural Shelf - 96" W x 24" D	●	●	●	●
SPRAYCAN	Aerosol Spray Can	●	●	●	●
TUKIT	Touch Up Kit	●	●	●	●
YN-PAB	Plastic Assembly Blocks (100/pkg)	●	●	●	●
YN-BRACKETS	Metal Assembly Bracket (12/pkg)	●	●	●	●
YN-SOFTCLOSE	Soft Close Hinge	●	●	●	●
YN-ERHINGE-SET	Easy Reach Hinges - Includes 2 frame-to-door & 2 door-to-door hinges	●	●	●	●
YN-SOFTCLOSE-CW	Soft Close Corner Wall Hinge	●	●	●	●
YN-BUMPER	Clear bumpers (50/sheet)	●	●	●	●
YN-Drawer Slide-Kitchen	Drawer Slide-Kitchen Pair	●	●	●	●
YN-Drawer Slide-Vanity	Drawer Slide - Vanity Pair	●	●	●	●
YN-SHELF CLIP	Shelf Clip	●	●	●	●
Samples & Sales Tools					
Sample Doors-Complete Set with 2 Bags	Sample Door Set - Includes 15"X15" Sample of Each Door	●	●	●	
Sample B15 Door Front Set	Sample B15 Door Front Set - Includes All B15 Fronts	●	●	●	
Essential Sample Set		-	-	-	●
SAMPLE BAG ONLY	Sample Bag Only	●	●	●	
SAMPLE CART	Carrying Cart for Samples	●	●	●	
SAMPLE MOLDING SET	Sample Molding Set - Includes Sample of All Molding Types	●	●	●	



RALEIGH

**2114 ATLANTIC AVE.
SUITE 106
RALEIGH, NC 27604**

HOUSTON

**600 FALLBROOK DR.
SUITE 100
HOUSTON, TX 77038**

RENO

**9585 N VIRGINIA ST.
SUITE 100
RENO, NV 89506**

ORLANDO

**650 HERMIT SMITH RD.
SUITE 100
APOPKA, FL 32703**



(833) 229-0009

CUSTOMERCARE@KCDUS.COM

WWW.KCDUS.COM